

Introduction

This application note will help developers quickly implement proof-of-concept designs using the KXTE9 tri-axis accelerometer. Please refer to the KXTE9 data sheet for additional implementation guidelines. While Kionix strives to ensure that our accelerometers will meet design expectations by default, it is not possible to provide default settings to work in every environment. Depending on the intended application, it is very likely that some customization will be required in order to optimize performance. We hope the information provided here will help the developer get the most out of the KXTE9.

Circuit Schematic

This section shows recommended wiring for the KXTE9, based on proven operation of the part. Specific applications may require modifications from these recommendations. Please refer to the KXTE9 Data Sheet for all pin descriptions.

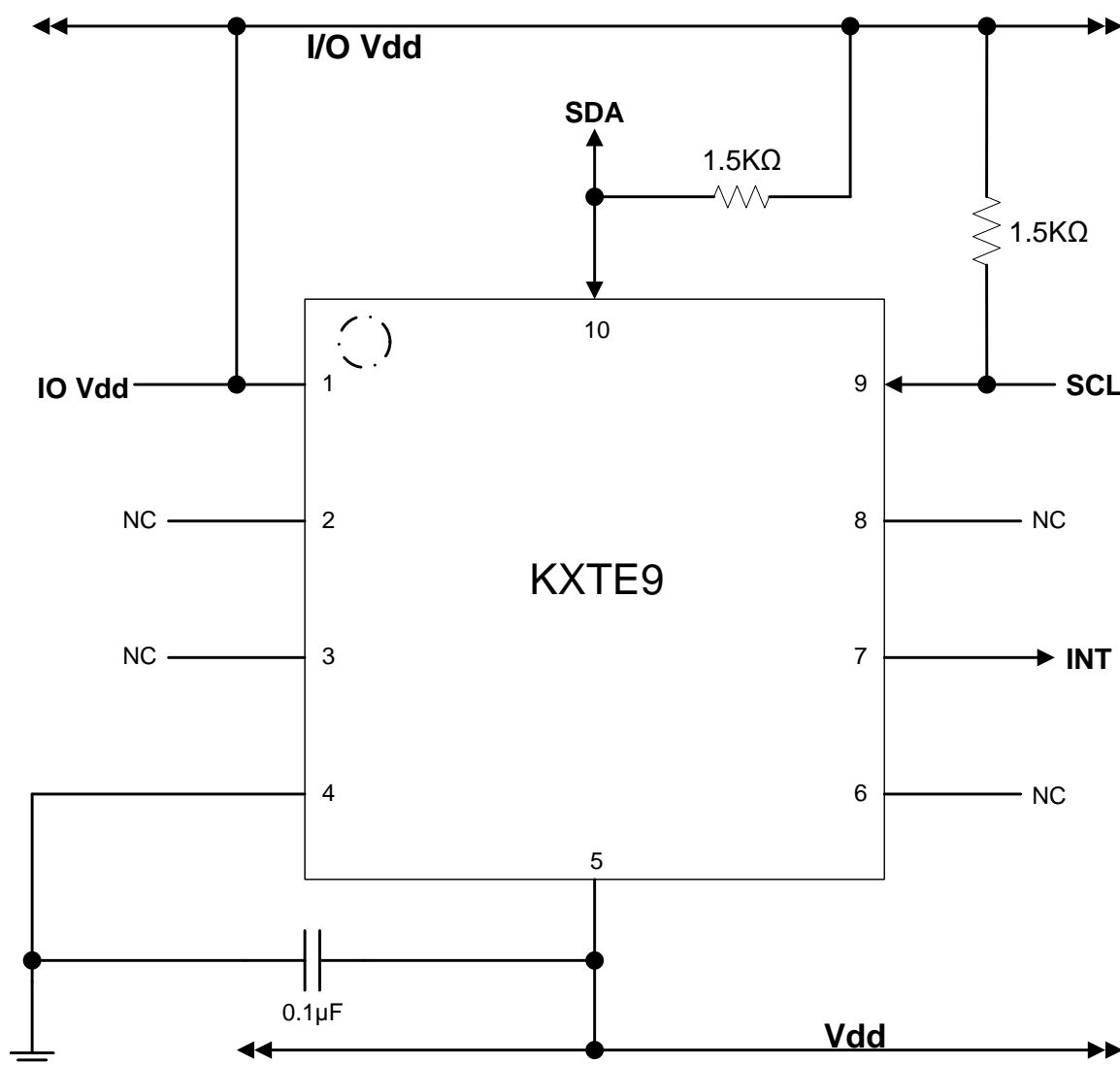


Figure 1: Application Schematic

Quick Start Implementation

Here we present three basic ways to initialize the part. These can vary based on desired operation, but generally the initial operations a developer wants to do are: read back acceleration data, activate the tilt position function, and activate the motion detection functions. These cursory solutions are provided as a means for configuring the part to a known operational state. Note that these conditions just provide a starting point, and the values may vary as developers refine their application requirements.

Read Back Acceleration Data

- Write 0x98 to Control Register 1 to assert PC1 (Power Control bit) and set the Output Data Rate to 40Hz.

Register Name	Address		Value	
	Hex	Binary	Hex	Binary
CTRL_REG1	0x1B	0001 1011	0x98	1001 1000

- Acceleration data can now be read from the XOUT, YOUT, and ZOUT registers.

Activate Tilt Position Function

- Write 0x04 to Tilt Timer. Here we assume a 100ms timer will be sufficient (this is based on an Output Data Rate of 40Hz).
- Write 0x99 to Control Register 1 to assert PC1 and TPE (Tilt Position Enable bit), and set the Output Data Rate to 40Hz.

Register Name	Address		Value	
	Hex	Binary	Hex	Binary
TILT_TIMER	0x28	0010 1000	0x04	0000 0100
CTRL_REG1	0x1B	0001 1011	0x99	1001 1001

- Changes to tilt position state will now be reflected in bit 4 of STATUS_REG (INT bit), bit 0 of INT_SRC_REG1 (TPS bit), TILT_POS_CUR, and TILT_POS_PRE registers, and also on the physical interrupt pin.

Activate Motion Detection Functions

- Write 0x04 to WUF (Wake Up Function) Timer (100ms based on an Output Data Rate of 40Hz).
- Write 0x03 to B2S (Back to Sleep) Timer (1200ms based on an Output Data Rate of 40Hz).
- Write 0x9E to Control Register 1 to assert PC1 (Power Control bit), WUFE (Wake Up Function Enable bit), and B2SE (Back to Sleep Function Enable bit), and set the Output Data Rate to 40Hz.

Register Name	Address		Value	
	Hex	Binary	Hex	Binary
WUF_TIMER	0x29	0010 1001	0x04	0000 0100
B2S_TIMER	0x2A	0010 1010	0x03	0000 0011
CTRL_REG1	0x1B	0001 1011	0x9E	1001 1110

- Changes to motion status will now be reflected in bit 4 of STATUS_REG (INT bit), bits 1 and 2 of INT_SRC_REG1 (WUFS and B2SS bits), and INT_SRC_REG2 (motion direction) registers, and also on the physical interrupt pin.

Timing Requirements

There are several timing requirements that developers should keep in mind when working with the KXTE9.

I²C Clock

The I²C Clock can be up to **400Khz**.

Power Up to Communication

After the part is powered up, it takes **110ms** before it is ready for I²C communication.

Enable to Valid Outputs

After the part is enabled (PC1 bit in Control Register 1 is asserted), it takes **5ms** before the acceleration outputs are valid.

Software Reset/Power On Reset Delay

After a Software or Power On Reset, the part takes **100ms** before it is ready for I²C communication.

Interrupt Configuration

The physical interrupt has 8 possible configurations, based on two states for each of the three customizable variables located in Interrupt Control Register 1:

Latched/Pulsed (IEL – bit 2 – 0x04)

- 0 – Latched mode – When an interrupt is triggered, it will remain active on the pin until cleared.
- 1 – Pulse mode – When an interrupt is triggered, it will cause a short (~50µs) pulse on the pin and clear itself.

Polarity (IEA – bit 3 – 0x08)

- 0 – Active Low – The interrupt pin will normally be HIGH, but will transition to LOW when an interrupt is triggered.
- 1 – Active High – The interrupt pin will normally be LOW, but will transition to HIGH when an interrupt is triggered.

Enable/Disable (IEN – bit 4 – 0x10)

- 0 – Disabled – Interrupt conditions will not be reflected on the physical interrupt pin.
- 1 – Enabled – Interrupt conditions will be reflected on the physical interrupt pin.

A Few Interrupt Tips

Read the Interrupt Release Register to Clear

In latched mode, the INT_REL register must be read in order to clear the physical interrupt pin. This will also clear the Interrupt Source Registers (1 and 2) and the INT bit (0x10) in the Status Register.

Microcontroller/GPIO Interrupt Handling

GPIO configuration is based solely on the connected hardware. The KXTE9 can be configured to issue interrupts depending on how the GPIO is programmed to catch them (if this is not the case, please contact your Kionix Sales Representative). Generally, when an interrupt is triggered, the developer should take the following steps:

- 1- Disable GPIO interrupt
- 2- Clear GPIO interrupt and generate desired functionality
- 3- Enable GPIO interrupt

These steps should be taken without calling any I²C transactions if done in an interrupt context, because the operating system or kernel will not allow busy-waiting on an I/O operation during an interrupt service routine.

Interrupt Polling

If physical interrupts are not used, a polling mechanism can be devised, which checks the INT bit in STATUS_REG. This mechanism should then look at INT_SRC_REG1 and INT_SRC_REG2 to determine which engine caused the interrupt and what steps should be taken before clearing the interrupt source information by reading the INT_REL register.

Digital Engine Operation

Motion Detection

The Wake Up Function and the Back to Sleep Function operate together. In later parts like the KXTF9 these are combined into one function, but on the KXTE9 they must both be activated at once in order to operate properly.

Axis Masking

It is possible to mask all wake-up/back-to-sleep events which occur on a particular axis (or axes). This is done with the three bits: XBW, YBW, and ZBW in the Interrupt Control Register 2.

XBW (bit 7 – 0x80)

- 0 – Events in the X axis are masked and will not generate an interrupt.
- 1 – Events in the X axis are unmasked and will generate an interrupt.

YBW (bit 6 – 0x40)

- 0 – Events in the Y axis are masked and will not generate an interrupt.
- 1 – Events in the Y axis are unmasked and will generate an interrupt.

ZBW (bit 5 – 0x20)

- 0 – Events in the Z axis are masked and will not generate an interrupt.
- 1 – Events in the Z axis are unmasked and will generate an interrupt.

Timers and thresholds

WUF (Wake Up Function) Timer – This timer establishes the number of Active Mode ODR cycles that the acceleration on an unmasked axis must be above the WUF threshold before a wake up interrupt is triggered. Each count in this register equals one cycle of the Active Mode ODR, as dictated by OWUFA and OWUFB in Control Register 3.

WUF (Wake Up Function) Threshold – This threshold determines how much acceleration is required in an unmasked axis in order to trigger a wake up interrupt that causes the part to transition from inactivity to activity.

B2S (Back to Sleep) Timer – This timer establishes the number of Inactive Mode ODR cycles that the change in acceleration on an unmasked axis must be below the B2S threshold before a back to sleep interrupt is triggered. Each count in this register equals 16 cycles of the Inactive Mode ODR, as dictated by OB2SA and OB2SB in Control Register 3.

B2S (Back to Sleep) Threshold – This threshold determines the change in acceleration required on an unmasked axis in order to trigger a back to sleep interrupt that causes the part to transition from activity to inactivity.

Tilt Position Function

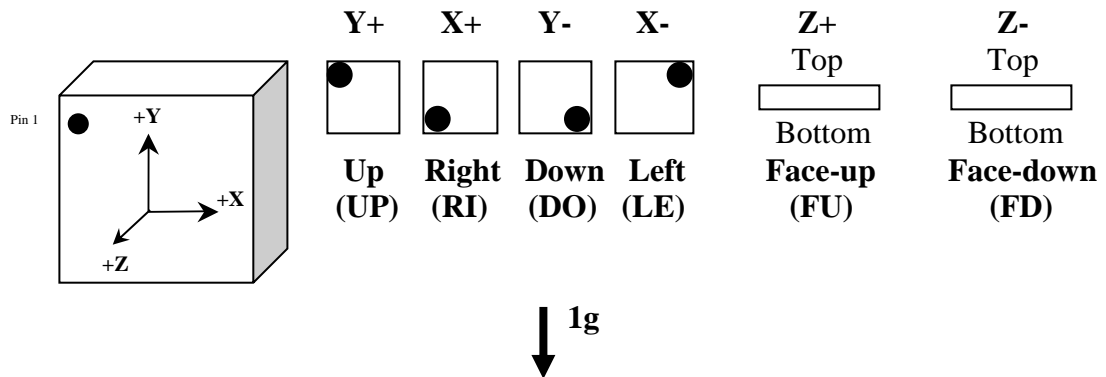
Position Nomenclature and Reporting

Tilt Position Current – Indicates the current tilt position of the device. Defaults to 0x20 (left).

Tilt Position Previous – Indicates the previous tilt position of the device. Defaults to 0x20 (left).

Orientation

If the part is set on its edge with the part number facing the user, and the pin 1 indicator is oriented so that it is in the top-left corner, the part is in the Y+ or “UP” position. If the user then turns the part 90° counter-clockwise so that pin 1 is in the bottom left corner, it will be in the X+ or “RIGHT” position. Continued rotation of the part counter-clockwise results in the Y- or “DOWN” position when pin 1 is in the bottom right corner, and X- or “LEFT” when pin 1 is in the top right corner. Setting the part on a flat surface with the part number and pin 1 indicator facing the sky results in the Z+ or “FACE-UP” state. Likewise, flipping the part over to expose the physical pins to the sky would be the Z- or “FACE-DOWN” state.



State Masking

Each of the 6 possible tilt position states can be masked using Control Register 2. To mask an entire axis, both possible states for that axis will have to be masked. Note that to mask a state, the bit associated with that state needs to be set to 0.

Timers and thresholds

Tilt Timer – This timer establishes the number of ODR cycles that a new tilt state must be active before an interrupt is triggered and the position registers are updated.

Tilt Angle – The tilt engine uses acceleration due to gravity to determine tilt position state. As such, it is unable to determine the rotational position of the part when the Z axis is in parallel with the direction of gravitational acceleration. This state (for the purposes of the Tilt Angle variable) is referred to as zero degrees. The Z axis must be a certain angle away from the direction of gravity in order for tilt changes to be registered on the X and Y axes. The Tilt Angle register is used to tell the engine at what angle it needs to start looking at X and Y axis acceleration instead of Z.

Troubleshooting

All Interrupt Issues

- Make sure the KXTE9 is configured to issue interrupt signals in the way that your GPIO is programmed to handle them.
- An oscilloscope on the physical interrupt pin can be a valuable tool to confirm physical interrupt operation.
- Double check the Tilt Position State Mask bits in Control Register 2 (Tilt Position Function) and/or the axis mask bits in Interrupt Control Register 2 (Back to Sleep and Wake-up Functions).
- The Tilt Timer, WUF Timer, and B2S Timer are based on the Output Data Rate (dictated by ODR A and ODR B in Control Register 1), so make sure the correct cycle time is used when calculating the expected timer length.

Tilt Interrupt Not Working

- Make sure that the Tilt Position engine is enabled.
- Try shortening the timer requirements and make sure the next state transition does not occur until after the expiration of the Tilt Timer.
- Try increasing the Tilt Angle to ensure that the engine can see the transition between the X and Y axes and the Z axis (this should not be necessary if using the default value for Tilt Angle, but it's worth looking into if problems continue).

WUF (Wake Up Function) Interrupt Not Working

- Make sure that the WUF and B2S engines are both enabled.
- Try altering the threshold requirements to achieve desired operation. If the part is waking up too easily, try increasing the threshold. If the interrupt is not firing at all, the threshold may be set too high.
- Try shortening the timer requirements, and make sure the acceleration on an unmasked axis is above the threshold until the expiration of the WUF Timer.
- Make sure the Back to Sleep interrupt has been triggered before trying to activate the wake up function. The part cannot wake up unless it has first entered a sleep state through the Back to Sleep function.

B2S (Back to Sleep) Interrupt Not Working

- Make sure that the WUF and B2S engines are both enabled.
- Try altering the threshold requirements to achieve desired operation. If the part is going back to sleep too easily, try reducing the threshold. If the interrupt is not firing at all, the threshold may be set too low. Note that the Back to Sleep Threshold is based on the difference between consecutive acceleration samples, and can be triggered based on acceleration data from any unmasked axis. Once the difference between two consecutive samples is less than B2S_THRESH, the timer starts and continues counting until it expires (the part goes to sleep) or a sample from the same axis that triggered the timer is more than B2S_THRESH away from the first of the two samples that triggered the timer (the part does not go to sleep, and the timer is reset).
- Try shortening the timer requirements and make sure the acceleration change on an unmasked axis is less than the threshold for the duration of the timer.
- Remember, each count in the B2S_TIMER Register is equal to 16 cycles of the Inactive Mode ODR, as dictated by OB2SA and OB2SB in Control Register 3.

Accelerometer USB Development Kit

Kionix offers an Accelerometer USB Development Kit that can be used to quickly begin the development of applications and firmware that incorporate Kionix accelerometers including the KXTE9. The Development Kit provides a common interface to Kionix evaluation boards. For additional information regarding the development kit please refer to the Kionix Application Firmware Development Kit user's manual. Here is a brief description of the applications and utilities supported by the development kit:

SensorScope

This application allows the user to monitor data coming from the attached sensor. This data can be saved to a file or viewed in real time. With only two verification steps, the application will begin immediately displaying a series of graphs representing the acceleration with respect to time.

SensorScope can be used to measure the noise of the accelerometer. Here are the steps that need to be followed to measure noise:

- Place the evaluation board on a flat surface in the desired orientation.
- To change the application settings, select *Settings* from the *Edit* menu. Using this menu the user can change the following:
 - Sampling Rate – The rate (in Hz) at which the software queries the accelerometer for axis data.
 - Realtime Interval – The amount of data (in milliseconds) the software will buffer and display in real time.
- Select the capture button. The application will begin capturing data immediately. Captured data is written to a file, and will not be viewable until after the capture has finished. The status bar is used to notify the user of a capture in progress.
- The application will continue to collect data until the user clicks the *Stop* button, or the resulting capture file has exceeded the file size limits (~1Gigabyte). We recommend collecting the data for at least 120 seconds.
- Captured data will be saved as a list of comma-separated values (.csv). Each entry in the list is comprised of a time, followed by the raw count for each axis (x, y, and z respectively).
- Select *Save* or *Save As* from the *File* menu to save the file.
- Open the saved file using Excel. Calculate the average of the samples. This gives the noise of the accelerometer in raw counts.

SensorCalc

This application allows the user to test and calculate the zero-g offset and sensitivity parameters of the accelerometer. Once the accelerometer is properly placed relative to the Earth's gravity, simple mouse clicks initiate a series of test sequences that result in the display of raw-count data.

SensorMap

This application allows the user to read and write to specific registers of the accelerometer. The registers, and their values, are all displayed simultaneously on one color-coded grid.

Motion

This utility allows the user to test if the accelerometer has detected motion on any of the axes. The user has options to change the WUF_THRESH and WUF_TIMER register values and also mask any of the axes.

Rotation

This utility allows the user to monitor the orientation of the accelerometer. It can be used to check if the accelerometer is in the face-up, face-down, left, right, up or down orientations. The user has options to change the TILT_TIMER and TILT_ANGLE register values and also mask any of the axes.

The Kionix Advantage

Kionix technology provides for X, Y, and Z-axis sensing on a single, silicon chip. One accelerometer can be used to enable a variety of simultaneous features including, but not limited to:

- Hard Disk Drive protection
- Vibration analysis
- Tilt screen navigation
- Sports modeling
- Theft, man-down, accident alarm
- Image stability, screen orientation & scrolling
- Computer pointer
- Navigation, mapping
- Game playing
- Automatic sleep mode

Theory of Operation

Kionix MEMS linear tri-axis accelerometers function on the principle of differential capacitance. Acceleration causes displacement of a silicon structure resulting in a change in capacitance. A signal-conditioning CMOS technology ASIC detects and transforms changes in capacitance into an analog output voltage, which is proportional to acceleration. These outputs can then be sent to a micro-controller for integration into various applications.

For product summaries, specifications, and schematics, please refer to the Kionix MEMS accelerometer product sheets at <http://www.kionix.com/parametric/Accelerometers>.