

EZ430-C7

Kionix KXSC7 Evaluation Board for the Texas Instruments MSP430 USB Stick Development Tool



DEVELOPMENT BOARD/KIT IMPORTANT NOTICE

KIONIX provides the enclosed product(s) under the following conditions:

This development board/kit is intended for **ENGINEERING DEVELOPMENT, DEMONSTRATION, OR EVALUATION PURPOSES ONLY** and is not considered by KIONIX to be a finished end-product fit for general consumer use. Persons handling the product(s) must have electronics training and observe good engineering practice standards. As such, the goods being provided are not intended to be complete in terms of required design-, marketing-, and/or manufacturing-related protective considerations, including product safety and environmental measures typically found in end products that incorporate such semiconductor components or circuit boards. This development board/kit does not fall within the scope of the European Union directives regarding electromagnetic compatibility, restricted substances (RoHS), recycling (WEEE), FCC, CE or UL, and therefore may not meet the technical requirements of these directives or other related directives.

Kionix warrants that the development board/kit sold will, upon shipment, be free of defects in materials and workmanship under normal and proper usage. This warranty shall expire 30 days from date of shipment. Kionix will repair or replace, at Kionix's discretion, any defective goods upon prompt written notice from the Customer within the warranty period. Such repair or replacement shall constitute fulfillment of all liabilities of Kionix with respect to warranty and shall constitute Customer's exclusive remedy for defective goods.

The user assumes all responsibility and liability for proper and safe handling of the goods. Further, the user indemnifies KIONIX from all claims arising from the handling or use of the goods. Due to the open construction of the product, it is the user's responsibility to take any and all appropriate precautions with regard to electrostatic discharge.

IT IS HEREBY EXPRESSLY AGREED THAT KIONIX MAKES AND CUSTOMER RECEIVES NO OTHER WARRANTY, EXPRESS OR IMPLIED, THAT ALL WARRANTIES OF MERCHANTABILITY AND FITNESS FOR A PARTICULAR PURPOSE ARE EXPRESSLY EXCLUDED, AND THAT KIONIX SHALL HAVE NO LIABILITY UNDER ANY CIRCUMSTANCES FOR CONSEQUENTIAL, INCIDENTAL OR EXEMPLARY DAMAGES ARISING IN ANY WAY FROM THE MISUSE OF ITS PRODUCTS.

KIONIX assumes **no liability for applications assistance, customer product design, software performance, or infringement of patents or services described herein.**

No license is granted under any patent right or other intellectual property right of KIONIX covering or relating to any machine, process, or combination in which such KIONIX products or services might be or are used.

FCC Warning

This development board/kit is intended for **ENGINEERING DEVELOPMENT, DEMONSTRATION, OR EVALUATION PURPOSES ONLY** and is not considered by KIONIX to be a finished end-product fit for general consumer use. It generates, uses, and can radiate radio frequency energy and has not been tested for compliance with the limits of computing devices pursuant to part 15 of FCC rules, which are designed to provide reasonable protection against radio frequency interference. Operation of this equipment in other environments may cause interference with radio communications, in which case the user at his own expense will be required to take whatever measures may be required to correct this interference.

"Texas Instruments" and "TI" are registered trademarks of Texas Instruments Incorporated, a Delaware corporation, having its registered address at: 12500 TI Boulevard, Dallas, Texas 75243, USA.

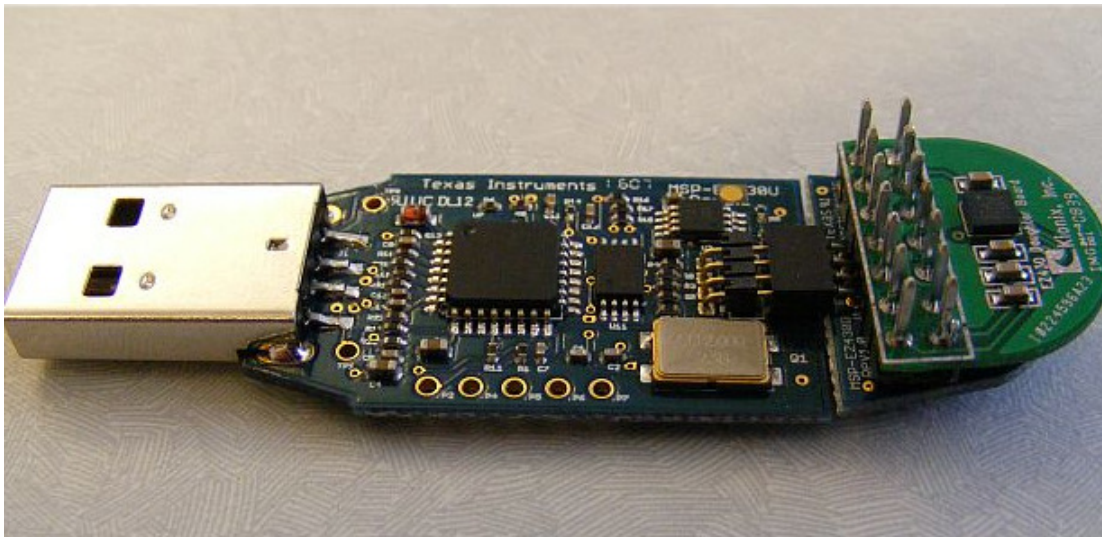
CONTENTS	4
OVERVIEW	4
HARDWARE.....	5
DEVELOPMENT KIT COMPONENTS	5
TI EZ430-F2013 (NOT INCLUDED).....	5
KIONIX EZ430-C7 EVALUATION BOARD	6
SOFTWARE	8
SYSTEM REQUIREMENTS	8
GETTING STARTED	8
READING ACCELERATION DATA DEMO	8
TECHNICAL SUPPORT	11
REVISION HISTORY	11
APPENDIX A: SCHEMATIC OF EZ EVAL	12

Contents

1. Kionix EZ430-C7 Evaluation board
2. CD containing sample firmware for reading acceleration
3. Instruction sheet (this document)

Overview

The Texas Instruments (TI) eZ430-F2013 development kit with the Kionix KXSC7 Evaluation Board (EZ430-C7) provides a simple environment to quickly start sampling X, Y, and Z accelerations and create accelerometer applications using the MSP430F2012 in a convenient USB form factor.



Hardware

Development Kit Components

TI eZ430-F2013 (not included)

TI's eZ430 Development Tool consists of a MSP-EZ430U Debugging Interface, which connects to a detachable eZ430-T2012 target board all housed inside a plastic enclosure. The enclosure can be opened to attach/detach different target boards. It is to the eZ430-T2012 target board that the Kionix accelerometer evaluation board can be attached.

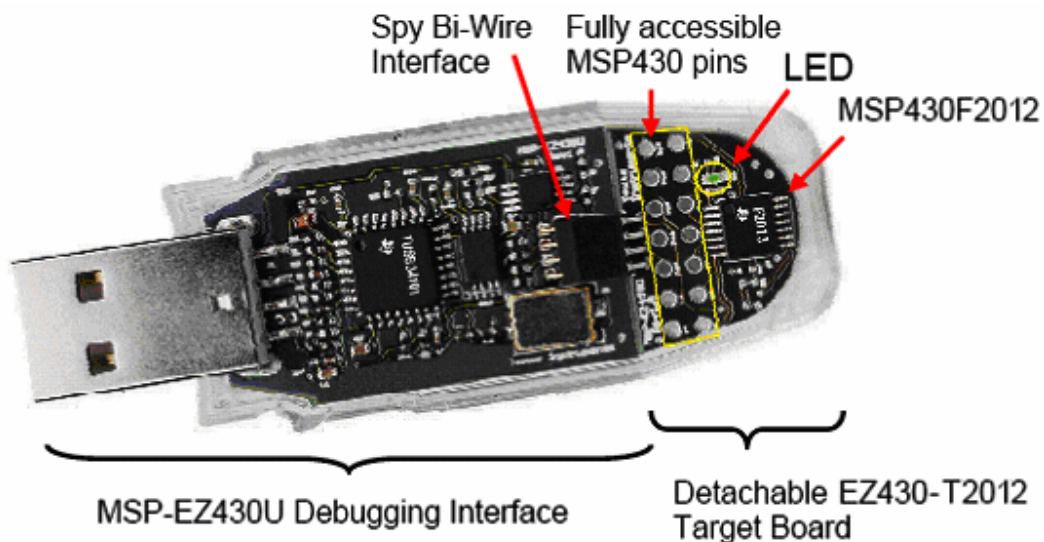


Figure 1. eZ430-F2013 Development Tool

The eZ430 Development Tool provides a real-time debugging and programming interface for the MSP430F2012 on the target board, and comes with the easy-to-use IAR Embedded Workbench Integrated Development Environment (IDE). The T2012 can be used to develop your personal project or to evaluate the MSP430 MCU.

The latest product information and ordering information about the ez430 Development Tool can be found at: <http://focus.ti.com/docs/toolsw/folders/print/ez430-f2013.html>

The latest product information and ordering information about the eZ430-T2012 target board can be found at: <http://focus.ti.com/docs/toolsw/folders/print/ez430-t2012.html>

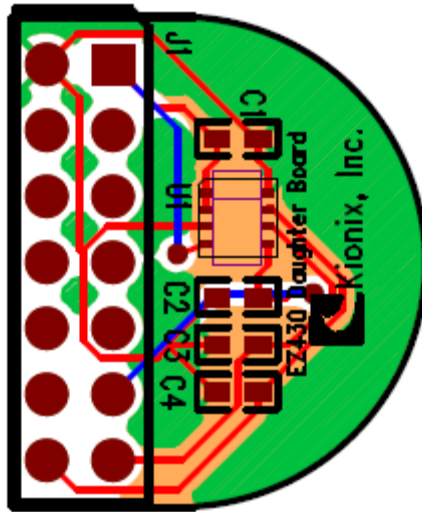
Kionix EZ430-C7 Evaluation Board

The Kionix EZ430-C7 Evaluation Board provides the connection between the KXSC7-2050 accelerometer and the MCU. The two boards (Kionix EZ430-C7 and the TI eZ430-T2012 target board) connect to each other through the 14-pin configuration. The pin configuration of both boards are compatible with each other, meaning pin 1 through pin 14 of the eZ430-T2012 connect to pin 1 through pin 14 of the EZ430-C7 respectively.



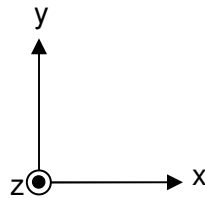
Power to the EZ430-C7 is provided through the target board. If the target board along with the EZ430-C7 is to function as a stand alone unit, then an external power supply can be connected appropriately to the 14-pin connection.

PCB board layout, pin description, and accelerometer axis orientation are shown below.



Outer Dimensions: 1.9cm x 1.6cm

J1 Connector Pin Description	
pin 1	VDD
pin 2	GND
pin 3	P2
pin 4	P13
pin 5	P3
pin 6	P12
pin 7	P4
pin 8	P11
pin 9	P5
pin 10	P10
pin 11	X
pin 12	P9
pin 13	Y
pin 14	Z



Orientation of accelerometer axes

The product data sheet and specifications for the KXSC7-2050 accelerometer can be found at: <http://www.kionix.com/sensors/accelerometer-products.html>

Software

System Requirements

It is highly recommended that your system meet the following minimum requirements:

Windows 2000 or greater

USB 2.0

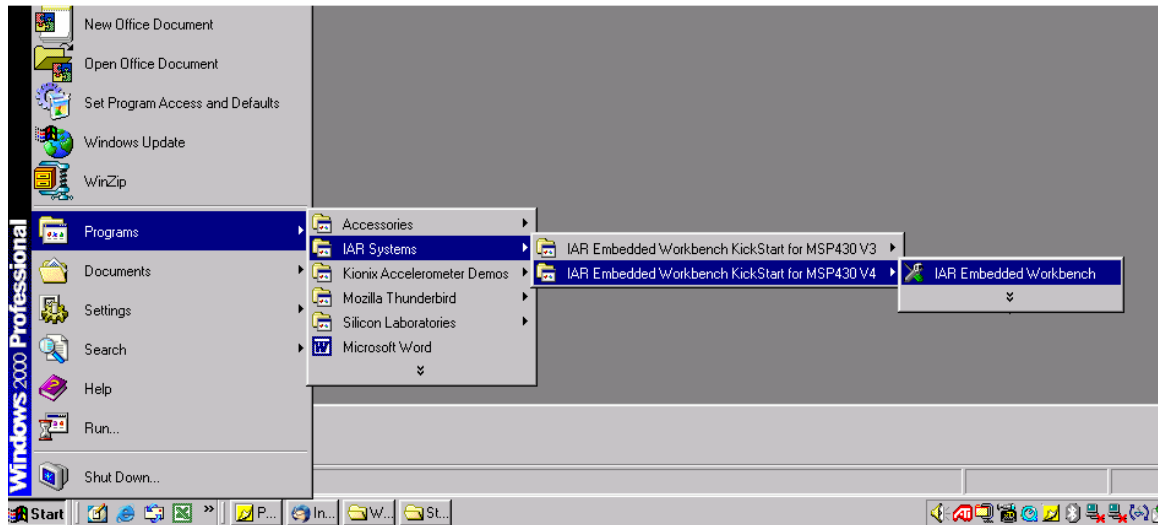
Getting Started

Install the IAR Workbench. The IDE can be obtained from TI's website. <http://focus.ti.com/docs/toolsw/folders/print/iar-kickstart.html>. More information about the IDE is available on the website as well.

Reading Acceleration Data Demo

A sample C file has been provided to help you get started in reading X, Y, and Z acceleration data. You will need to set up a project for the eZ430-T2012, and download the application onto the MSP430F2012. The following steps will guide you through the process:

1. Start the Workbench. (Start -> Programs -> IAR Systems -> IAR Embedded Workbench Kickstart for MSP430 V3 -> IAR Embedded Workbench).



2. Click on the File tab -> Open Workspace ->. Select the directory where you have unzipped the 'AccelDemo.zip'.
3. Select the 'KXSC7_F2012.eww' workspace.
4. Set the correct device by clicking on Projects -> Options -> General Options -> Target and select MSP430F2012 from the list.
5. In the Options window, go to FET Debugger -> Setup -> Connection -> TI USB FET to use the USB interface.
6. Use Project -> Rebuild All to build and link the source code. You can view the source code by double clicking on the project, and then double-clicking on the displayed source file.
7. Use Project -> Debug to start the C-SPY debugger. C-SPY will erase the device Flash, and then download the application object file to the device Flash.
8. Place the cursor on the Xout variable. Use Run to cursor button to view the Xout, Yout, and Zout (X, Y, and Z acceleration) variables in the watch window.

The screenshot shows the IAR Embedded Workbench IDE interface. The main window displays the source code for `main.c` in the `KXSC7_F2012.d43` project. The code includes headers for `msp430x20x2.h` and `in430.h`, and defines `WDTCTL`, `ADC10CTL0`, and `PDIR1`. The `main` function contains a `while` loop that calls `Zout()` to get acceleration data and assigns it to `Xaxis`, `Yaxis`, and `Zaxis`. A red box highlights the `Xaxis = Zout();` line with the annotation "Place cursor here". A red arrow points from the `Run to cursor` button in the toolbar to the `while` loop. The Watch window on the right shows the values of `ADC10MEM` (629), `Xaxis` (514), `Yaxis` (344), and `Zaxis` (629). The Log window at the bottom shows the debug session details, including the device `MSP430F20x2`, external voltage `0.0 V`, and VCC voltage `3.5 V`.

Congratulations, you have successfully built and tested the AccelDemo application.

Technical Support

If you experience technical difficulties with the EZ430-C7 evaluation board, please contact your local Kionix Sales Office for technical support information.



For information about Kionix products, application notes, and evaluation boards, please visit www.kionix.com.



For information about Texas Instrument's MSP430 Third Party Developer Network please visit:

<http://focus.ti.com/mcu/docs/mcucodeexnewsltrbuglist.tsp?sectionId=96&tabId=1507>

Revision History

Date	Revision	Modifications
12/18/2008	-	Initial release

Appendix A: Schematic of eZ eval

