

6

5

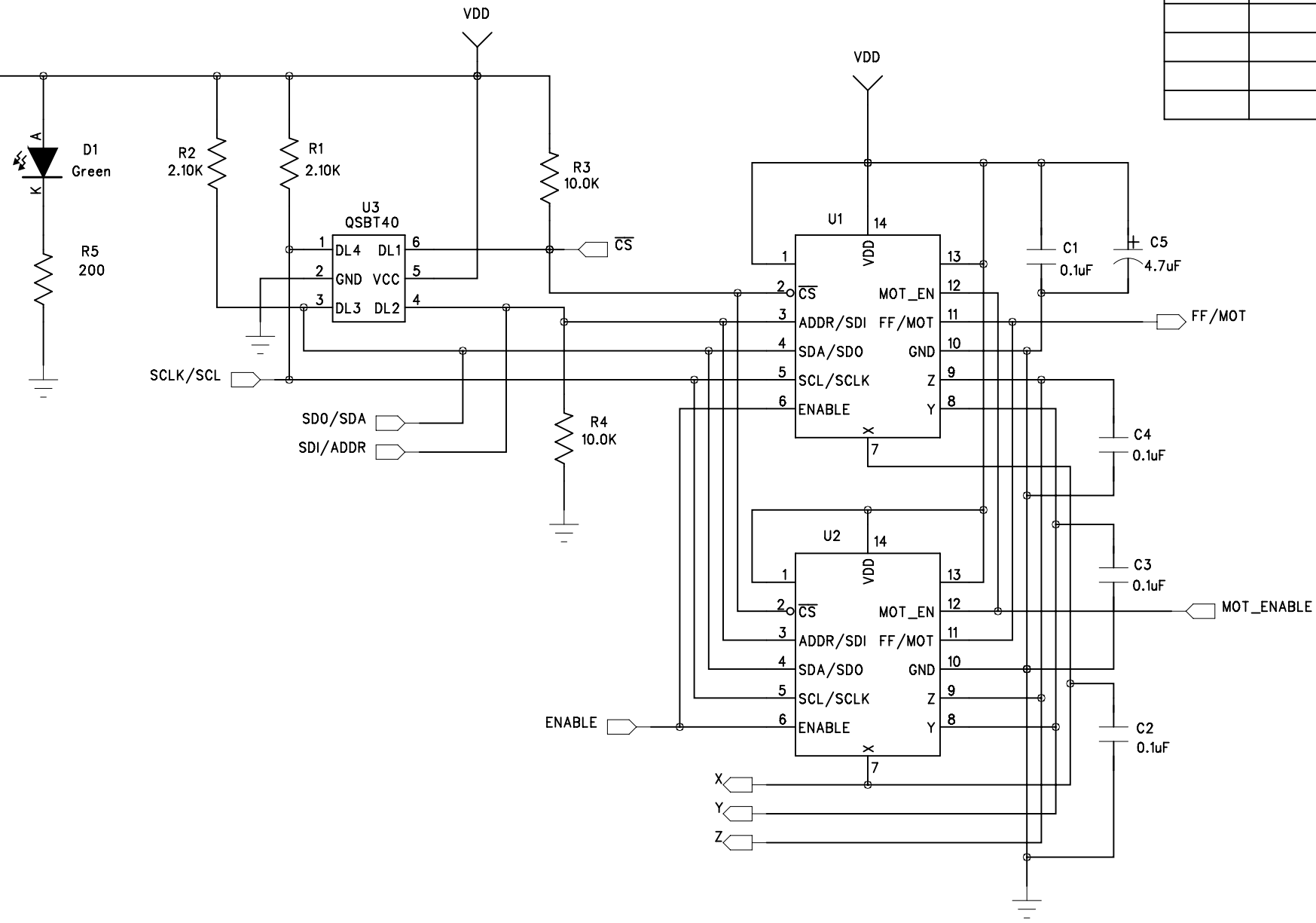
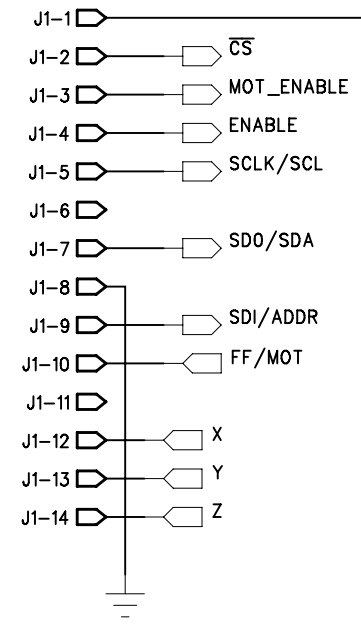
4

3

2

1

REVISION RECORD			
LTR	ECO NO:	APPROVED:	DATE:



COMPANY: Kionix, Inc.

TITLE: KX_S5 Evaluation Board Rev 1

DRAWN: Bob Ross	DATED: 8/13/08
CHECKED:	DATED:
QUALITY CONTROL:	DATED:
RELEASED:	DATED:

CODE:	SIZE: B	DRAWING NO: KAMMDM001R34	REV: 0
-------	------------	-----------------------------	-----------