

6

5

4

3

2

1

REVISION RECORD			
LTR	ECO NO:	APPROVED:	DATE:

D

C

B

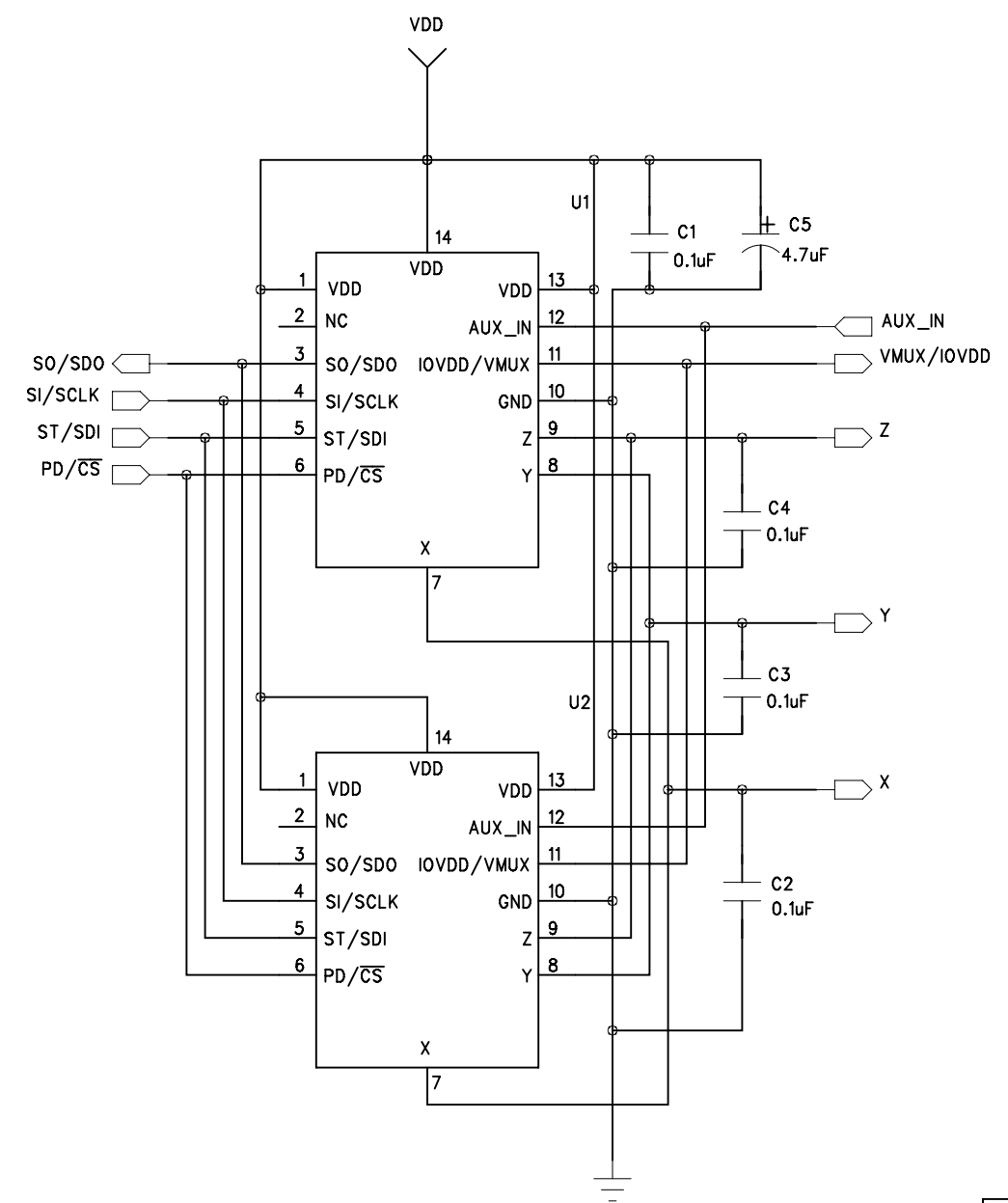
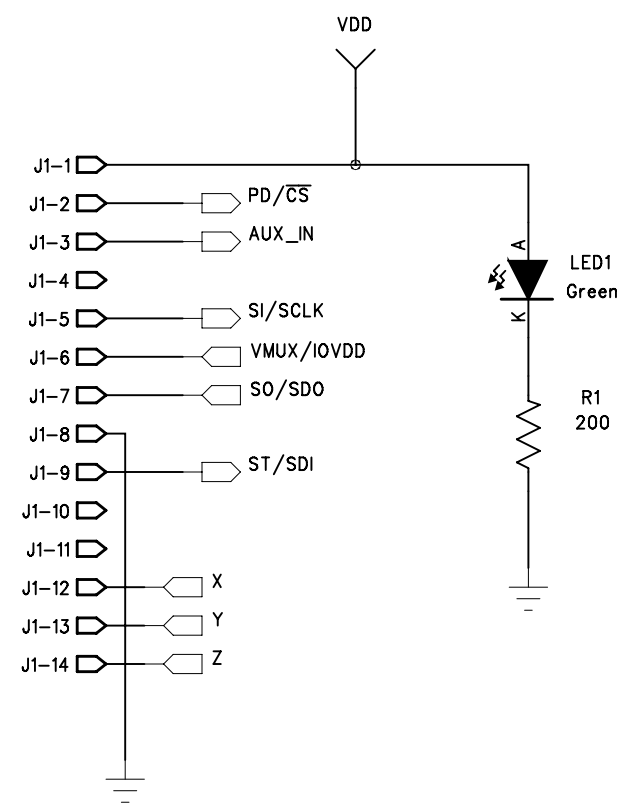
A

D

C

B

A



COMPANY: Kionix, Inc.			
TITLE: KX_B5 Evaluation Board			
CODE:	SIZE: B	DRAWING NO: KAMMDM001R44	REV: 0
SCALE:			SHEET: 1 OF 1

DRAWN: Bob Ross	DATED: 5/11/10
CHECKED:	DATED:
QUALITY CONTROL:	DATED:
RELEASED:	DATED: