

6

5

4

3

2

1

D

C

B

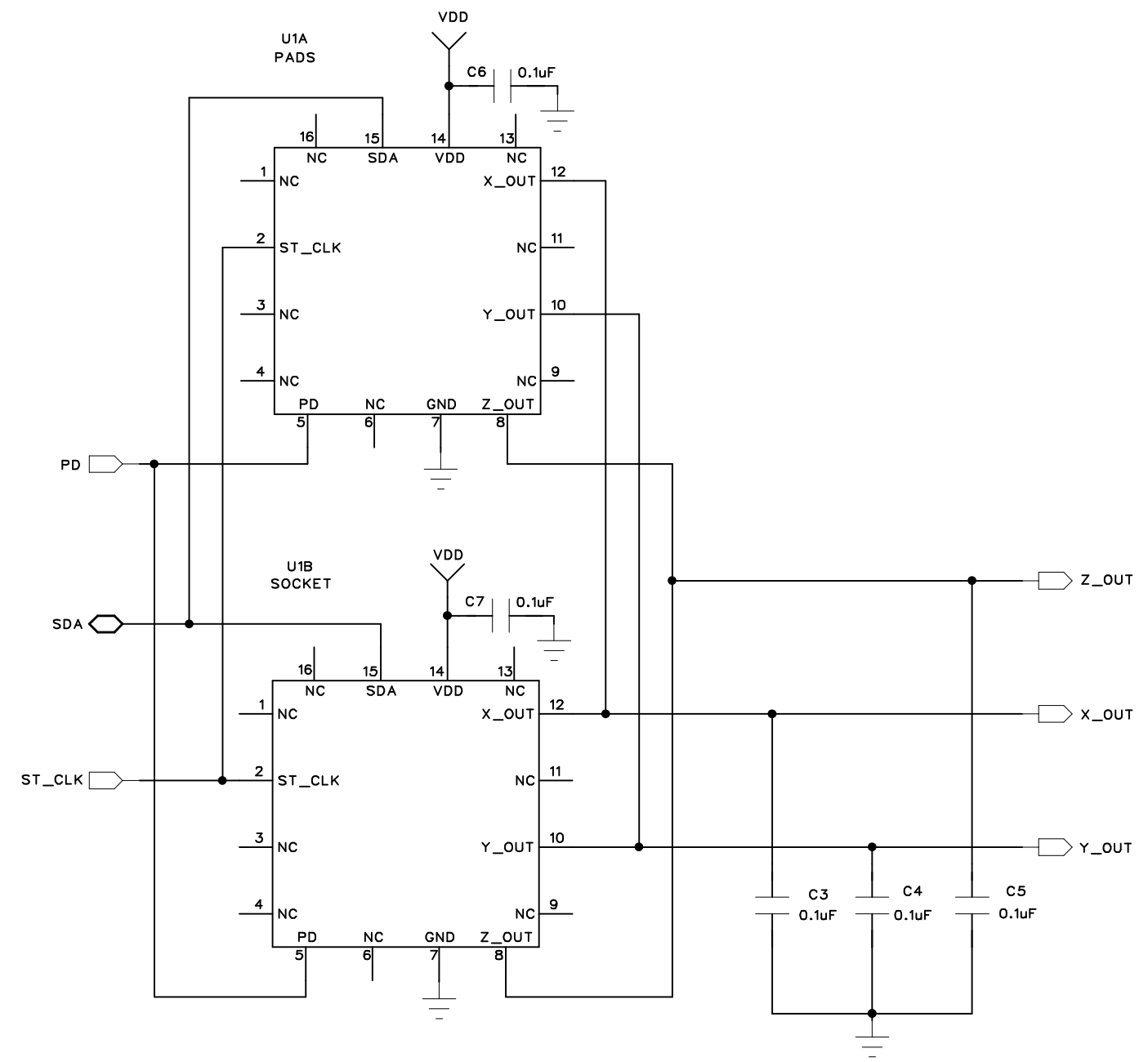
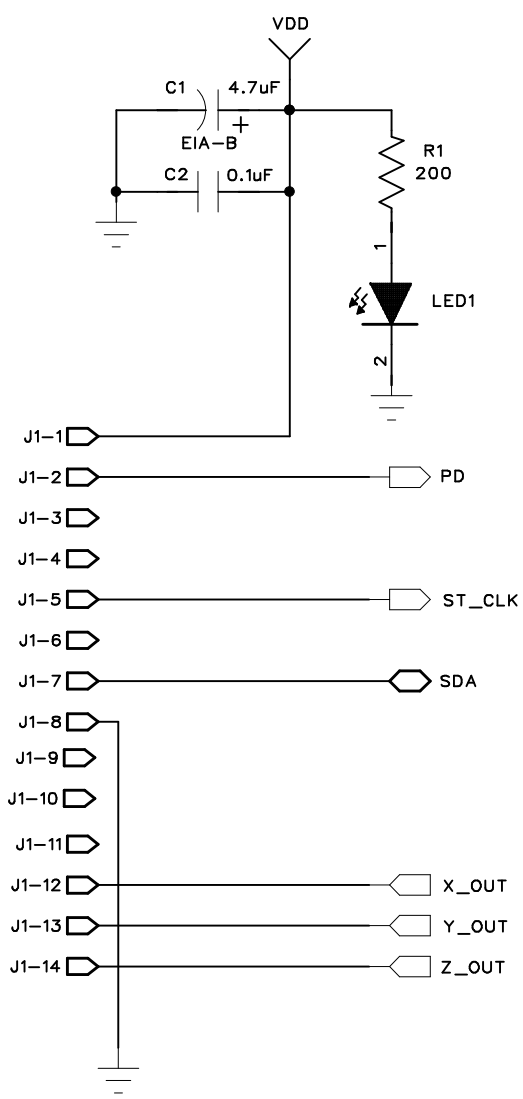
A

D

C

B

A



NOTES:

- 1) All resistors are 1%, 1/10W, 0603 unless otherwise specified.
- 2) All capacitors are 0.1uF, 10%, 16V, 0603 unless otherwise specified.
- 3) U1A LGA: Populate C6.
U1B Socket: Populate C7; mounted on solder copper side.
- 4) U1B socket: Loranger, 040SQ 016J6618A.

COMPANY:				Kionix, Inc.			
TITLE:				KX_C8 Evaluation Board R2			
DRAWN:	DATED:	CODE:	SIZE:	DRAWING NO:	REV:		
J Zappala	03/10/11	DWG734	B	KAMMDM001R50	A		
CHECKED:	DATED:	SCALE: NONE		SHEET: 1 OF 2			
QUALITY CONTROL:	DATED:						
RELEASED:	DATED:						

6

5

4

3

2

1

REVISION RECORD			DATE:	CHECKED BY:
DATE:	DRAWN BY:	DESCRIPTION:		
01/03/2011	J Zappala	Initial release.		

D

D

C

C

B

B

A

Kionix Inc.
LOGO
LOGO1
KIONIX_LOGO_210X210

MTHOLE1 MTHOLE3
MTHOLE150 MTHOLE150

MTHOLE2 MTHOLE4
MTHOLE150 MTHOLE150

DRAWN: J Zappala	DATED: 03/10/11
CHECKED:	DATED:
QUALITY CONTROL:	DATED:
RELEASED:	DATED:

COMPANY: Kionix Inc.			
TITLE: KX_C8 Evaluation Board R2			
CODE: DWG734	SIZE: B	DRAWING NO: KAMMDM001R50	REV: A
SCALE: NONE		SHEET: 2 of 2	