

6

5

4

3

2

1

D

D

C

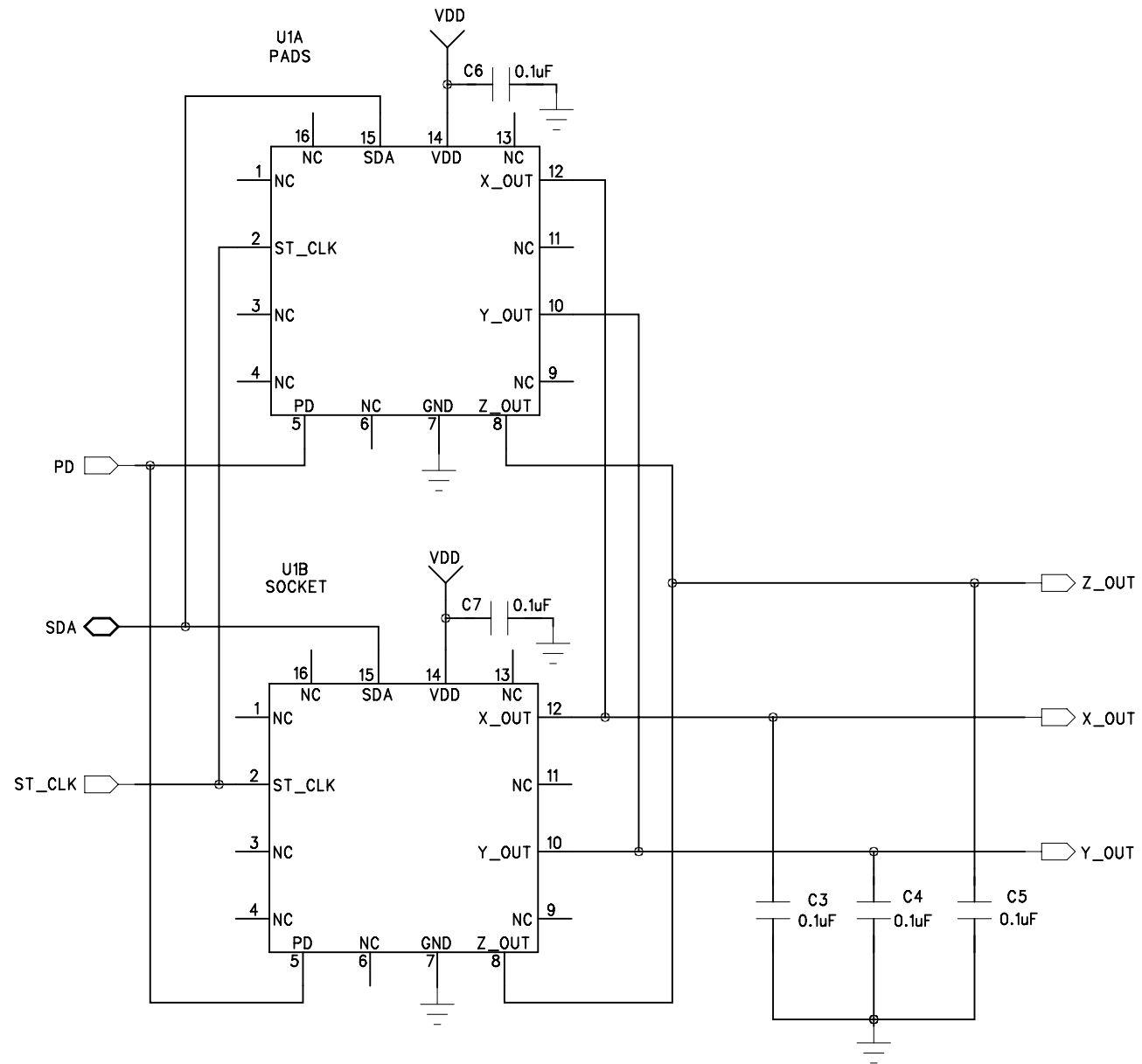
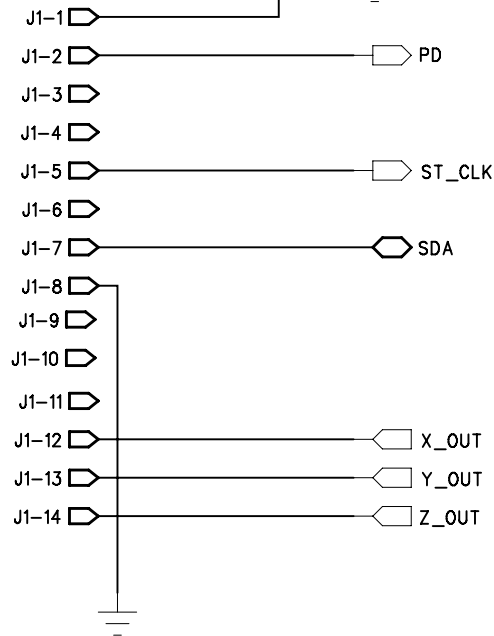
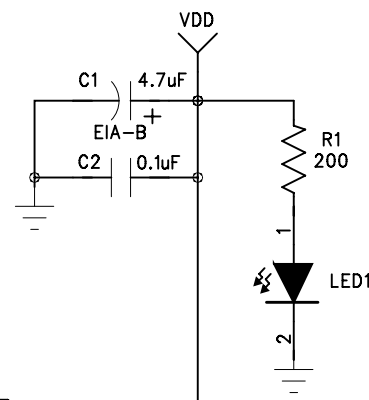
C

B

B

A

A



NOTES:

- 1) All resistors are 1%, 1/10W, 0603 unless otherwise specified.
- 2) All capacitors are 0.1uF, 10%, 16V, 0603 unless otherwise specified.
- 3) U1A LGA: Populate C6.
U1B Socket: Populate C7; mounted on solder copper side.
- 4) U1B socket: Loranger, 040SQ 016J6618A.

COMPANY: **Kionix, Inc.**

TITLE: **KX_C8 Evaluation Board R2**

DRAWN: J Zappala	DATED: 03/10/11
CHECKED:	DATED:
QUALITY CONTROL:	DATED:
RELEASED:	DATED:

CODE: DWG734	SIZE: B	DRAWING NO: KAMMDM001R50	REV: A
SCALE: NONE			SHEET: 1 OF 2

6

5

4

3

2

1

REVISION RECORD

DATE:	DRAWN BY:	DESCRIPTION:	CHECKED BY:	DATE:
01/03/2011	J Zappala	Initial release.		

D

D

C

C

B

B

A

<p>Kionix Inc. LOGO LOGO1 KIONIX_LOGO_210X210</p>		<p>MTHOLE1 MTHOLE3 MTHOLE150 MTHOLE150</p>		<p>MTHOLE2 MTHOLE4 MTHOLE150 MTHOLE150</p>		<p>COMPANY: Kionix Inc.</p>		<p>TITLE: KX_C8 Evaluation Board R2</p>			
<p>DRAWN: J Zappala</p>	<p>DATED: 03/10/11</p>	<p>CHECKED:</p>		<p>DATED:</p>		<p>CODE: DWG734</p>	<p>SIZE: B</p>	<p>DRAWING NO: KAMMDM001R50</p>	<p>REV: A</p>		
<p>QUALITY CONTROL:</p>		<p>DATED:</p>		<p>SCALE: NONE</p>				<p>SHEET: 2 of 2</p>			
<p>RELEASED:</p>		<p>DATED:</p>									