

6

5

4

3

2

1

D

C

B

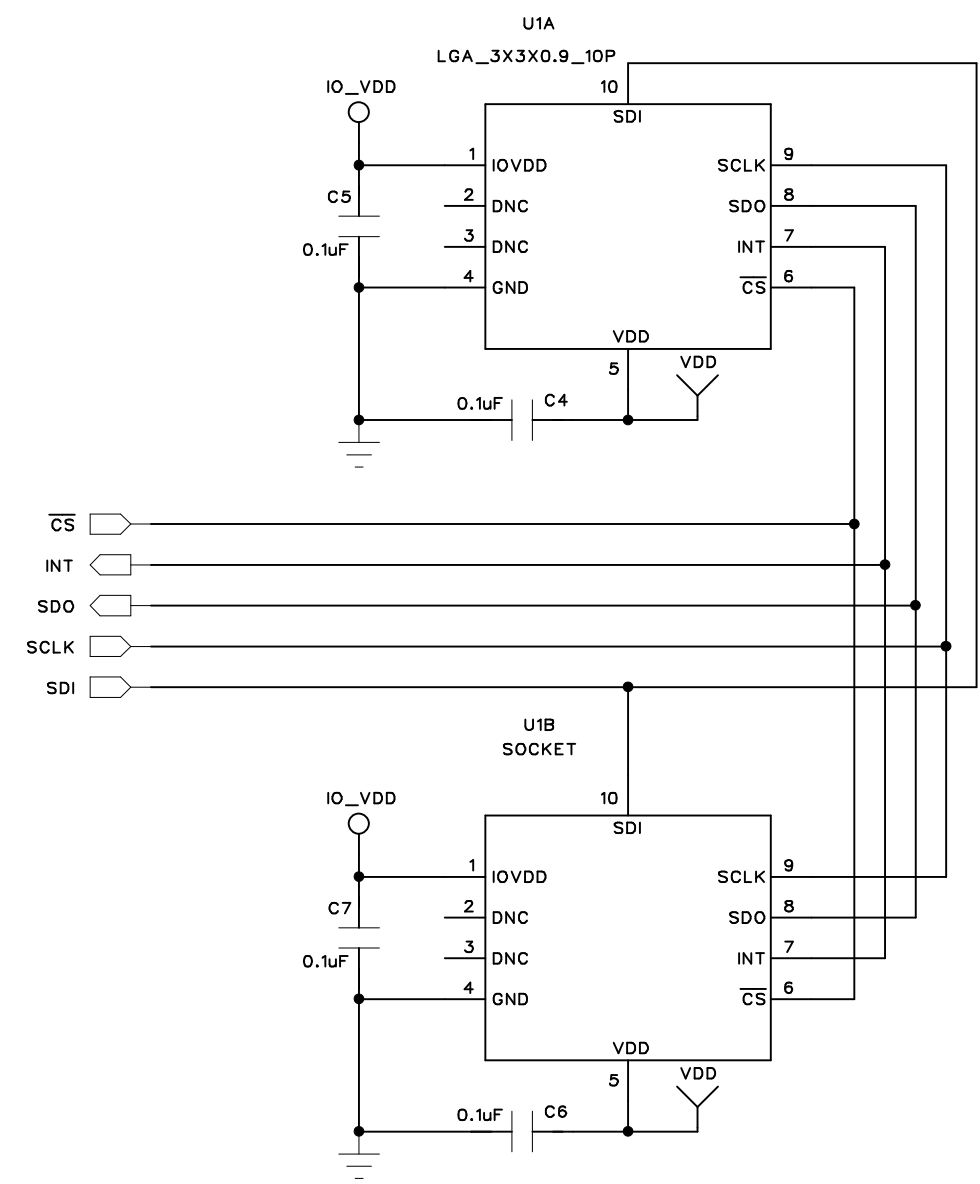
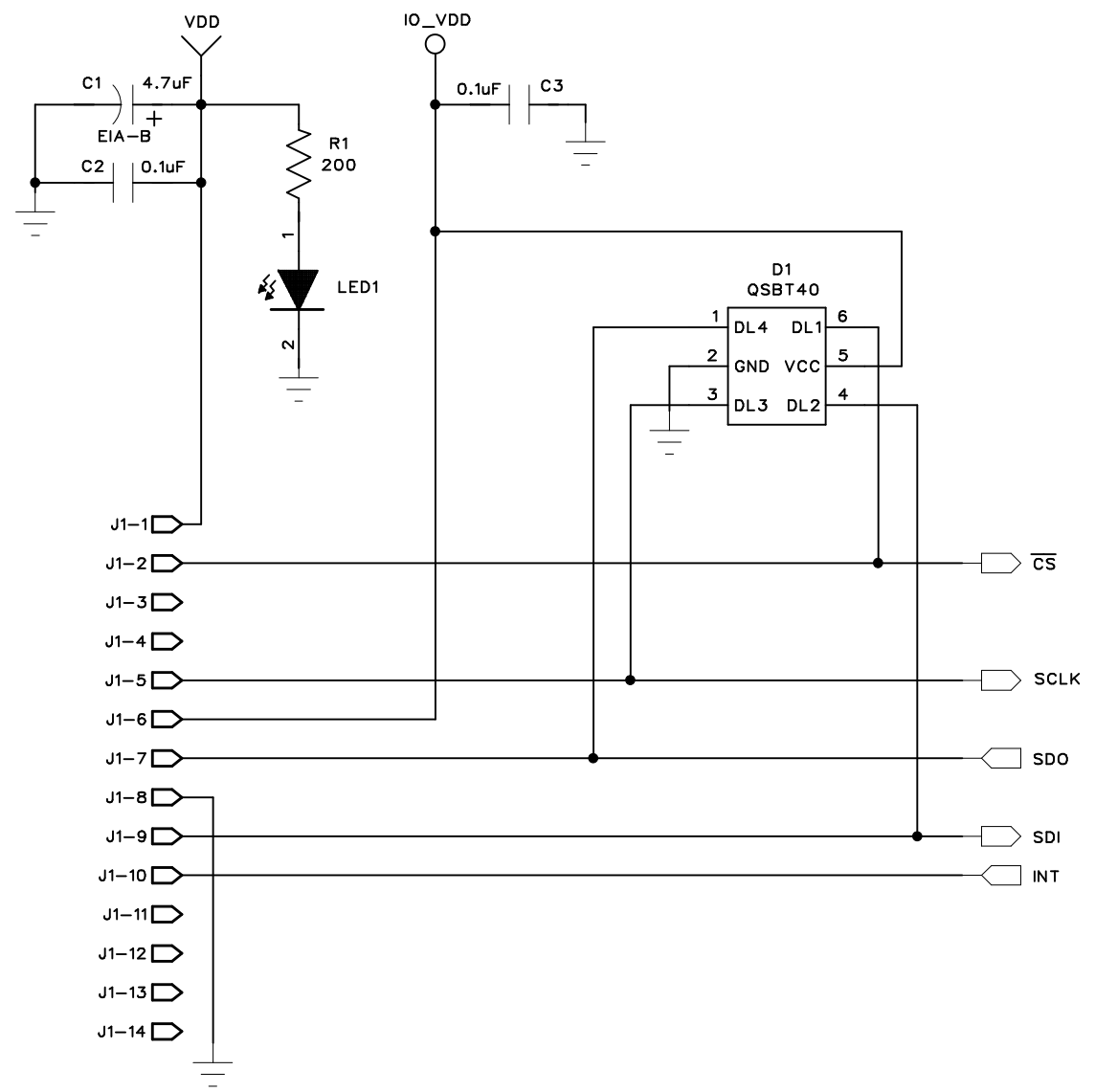
A

D

C

B

A



Refer to sheet 2 for notes.

COMPANY:					Kionix Inc.				
TITLE:					KX_IA Evaluation Board				
DRAWN:	J Zappala	DATED:	01/17/12	CODE:	SIZE:	DRAWING NO:	REV:		
CHECKED:		DATED:		DWG755	B	KAMMDM001R52	0		
QUALITY CONTROL:		DATED:		SCALE: NONE			SHEET: 1 OF 2		
RELEASED:		DATED:							

