

6

5

4

3

2

1

D

C

B

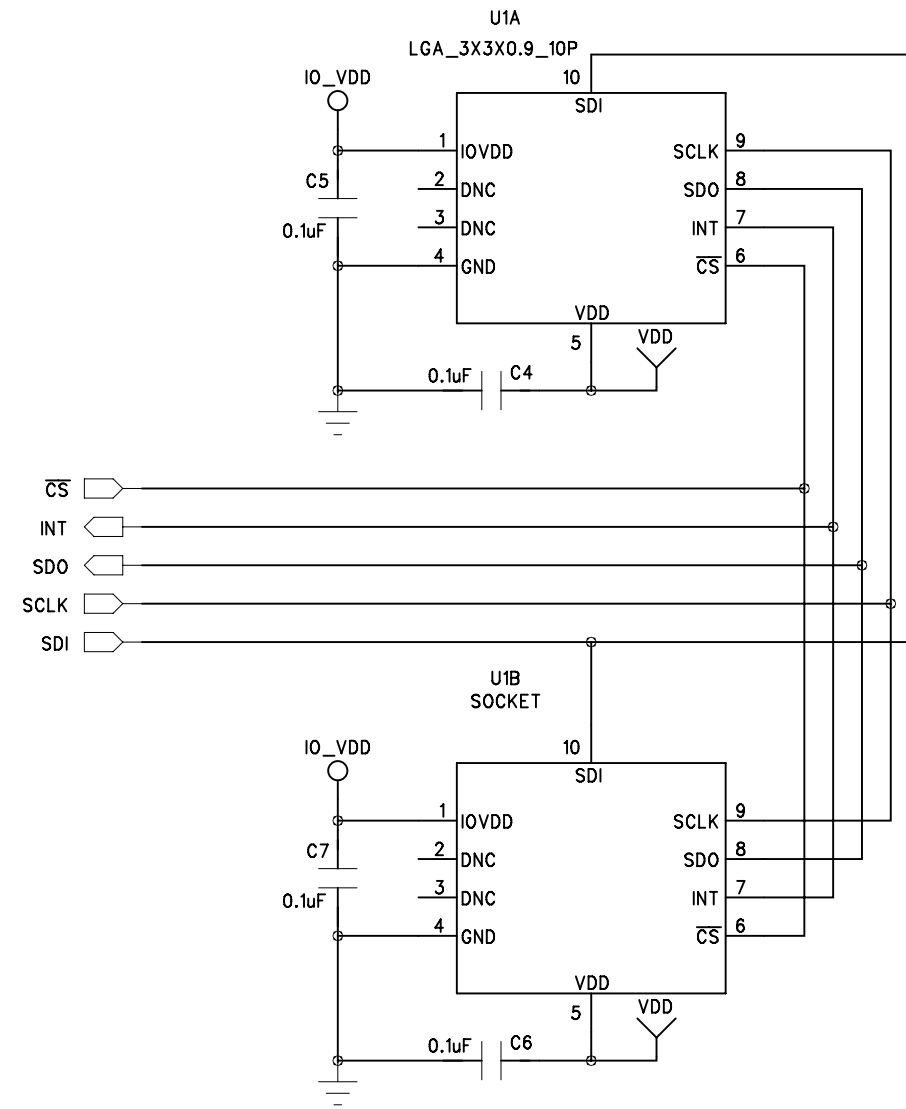
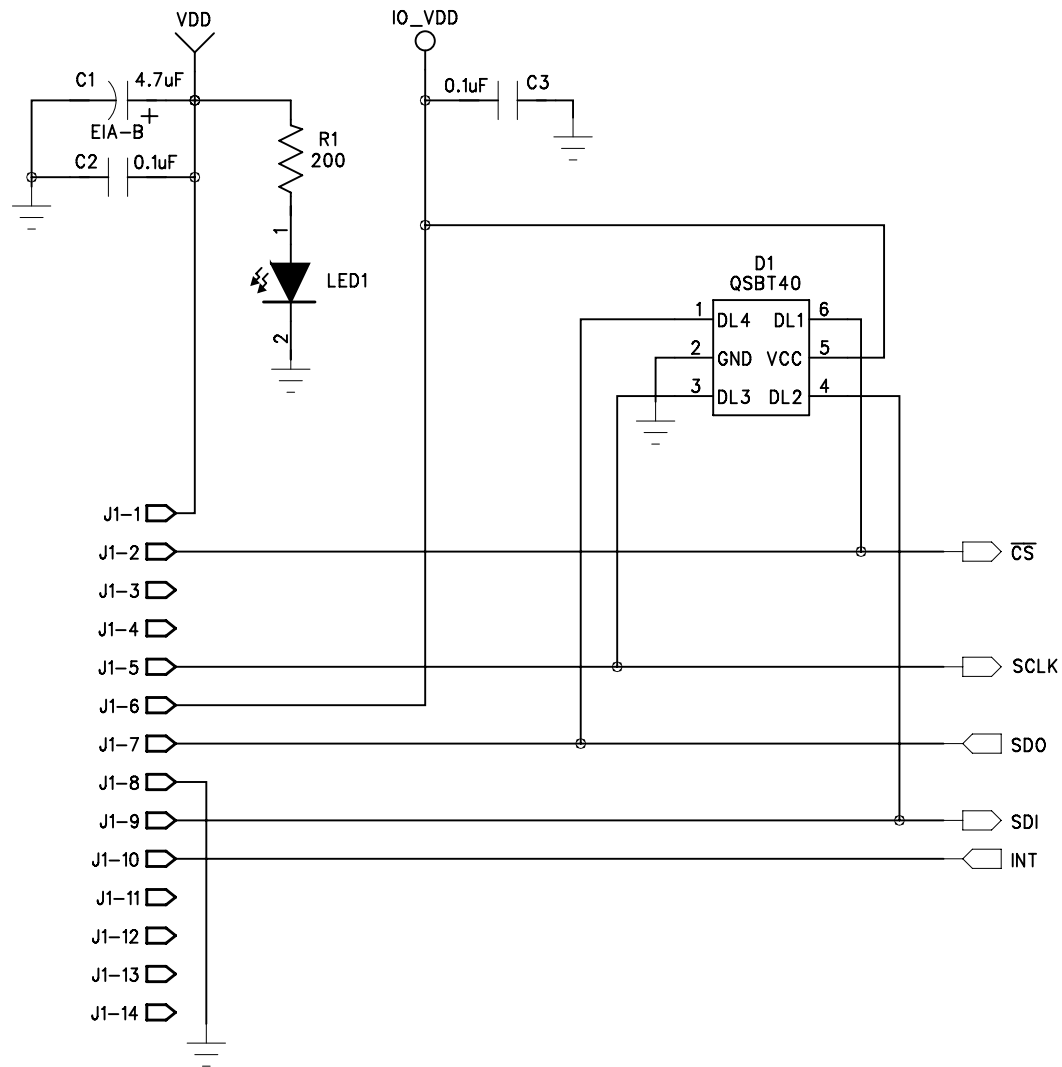
A

D

C

B

A



Refer to sheet 2 for notes.

DRAWN: J Zappala	DATED: 01/17/12
CHECKED:	DATED:
QUALITY CONTROL:	DATED:
RELEASED:	DATED:

COMPANY: Kionix Inc.			
TITLE: KX_IA Evaluation Board			
CODE: DWG755	SIZE: B	DRAWING NO: KAMMDM001R52	REV: 0
SCALE: NONE			SHEET: 1 OF 2

