

6

5

4

3

2

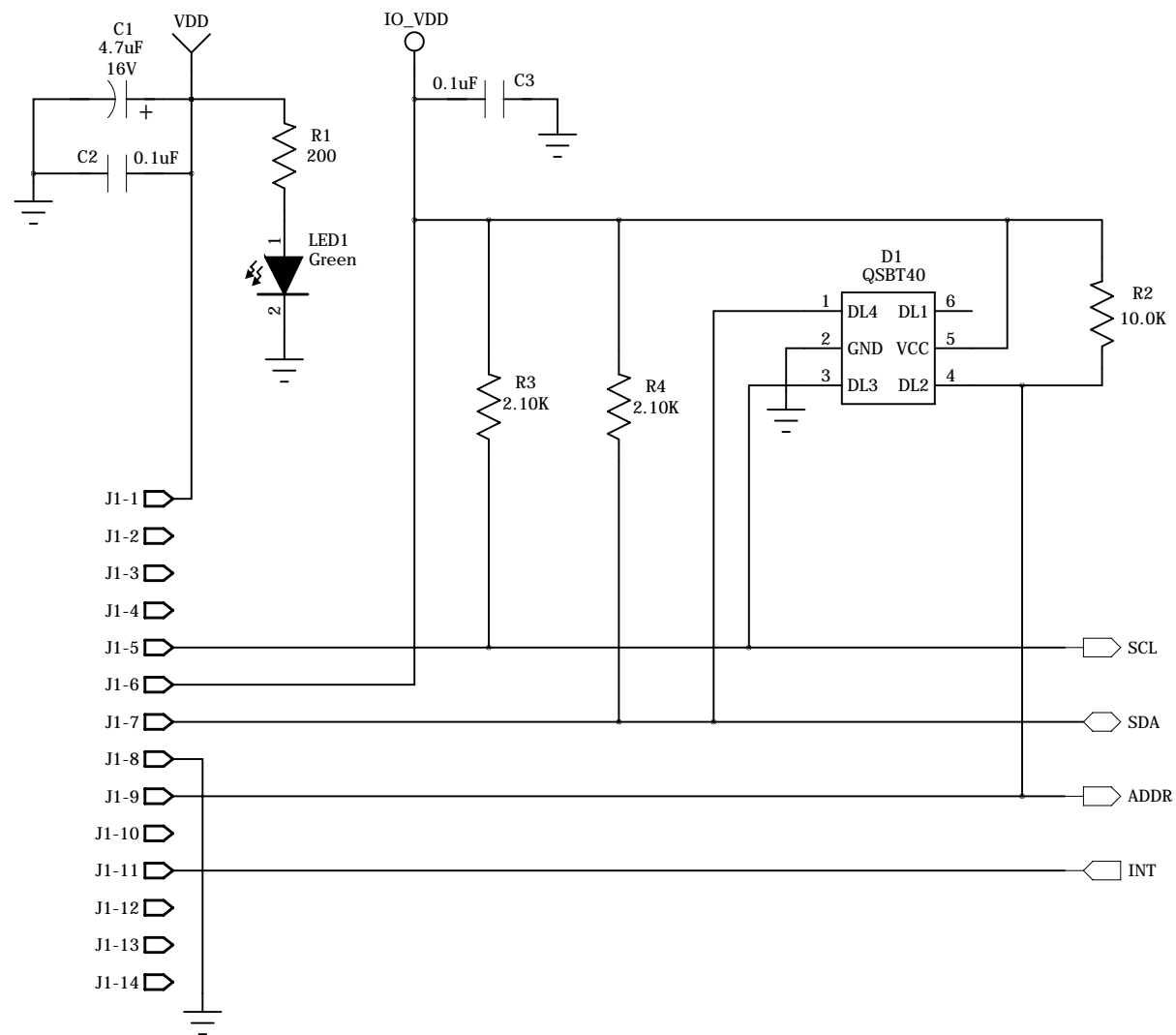
1

D

C

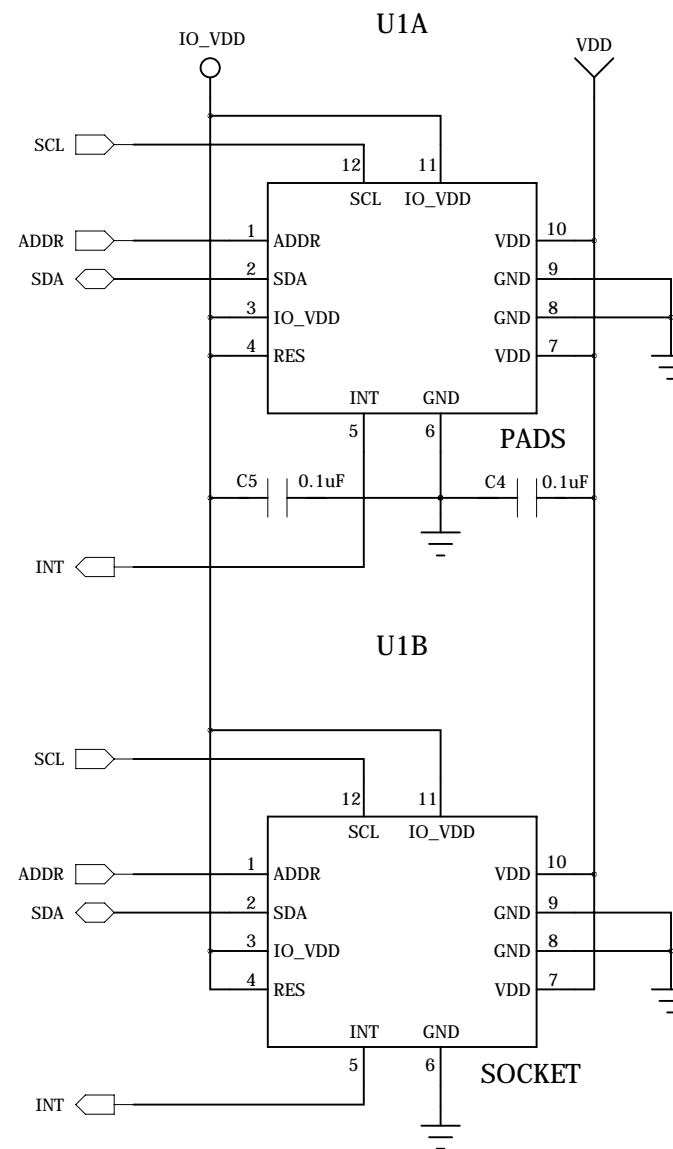
B

A



NOTES:

- 1) All resistors are 1%, 1/10W, 0603 unless otherwise specified.
- 2) All capacitors are 0.1uF, 10%, 50WVDC, 0603 unless otherwise specified.
- 3) U1B Socket: Loranger, SOCKET_020SQ012J6618A
- 4) Supported device and 7-bit I2C address:
 - a) KXTJ2: 0Eh, 0Fh.
 - b) KXTJ3: 0Eh, 0Fh.



PIN	KXTJ2	KXTJ3	
1	ADDR	ADDR	
2	SDA	SDA	
3	IO_VDD	IO_VDD	
4	RES	RES	
5	INT	INT	
6	GND	GND	
7	VDD	VDD	
8	GND	GND	
9	GND	GND	
10	VDD	VDD	
11	IO_VDD	IO_VDD	
12	SCL	SCL	

D

C

B

A

COMPANY: **Kionix Inc.**

TITLE: **KXTJ2 Evaluation Board Rev 1**

DRAWN: J Zappala	DATED: 10/04/2015	CODE: DWG791	SIZE: B	DRAWING NO: KAMMDM001R54	REV: 1
CHECKED:	DATED:	SCALE: NONE		SHEET: 1 OF 2	
QUALITY CONTROL:	DATED:				
RELEASED:	DATED:				

DRAWN: J Zappala	DATED: 10/04/2015
CHECKED:	DATED:
QUALITY CONTROL:	DATED:
RELEASED:	DATED:

