

6

5

4

3

2

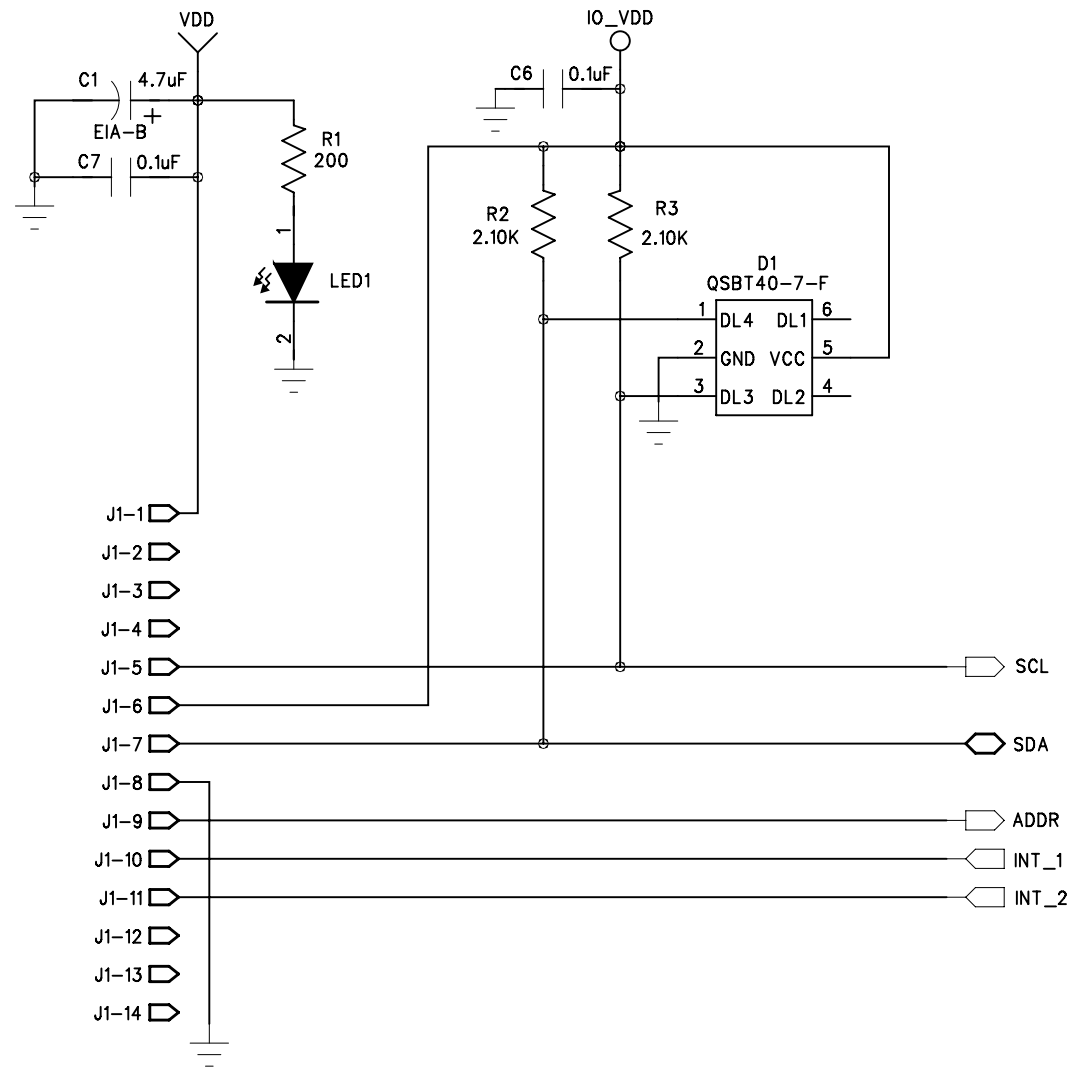
1

D

C

B

A



NOTES:

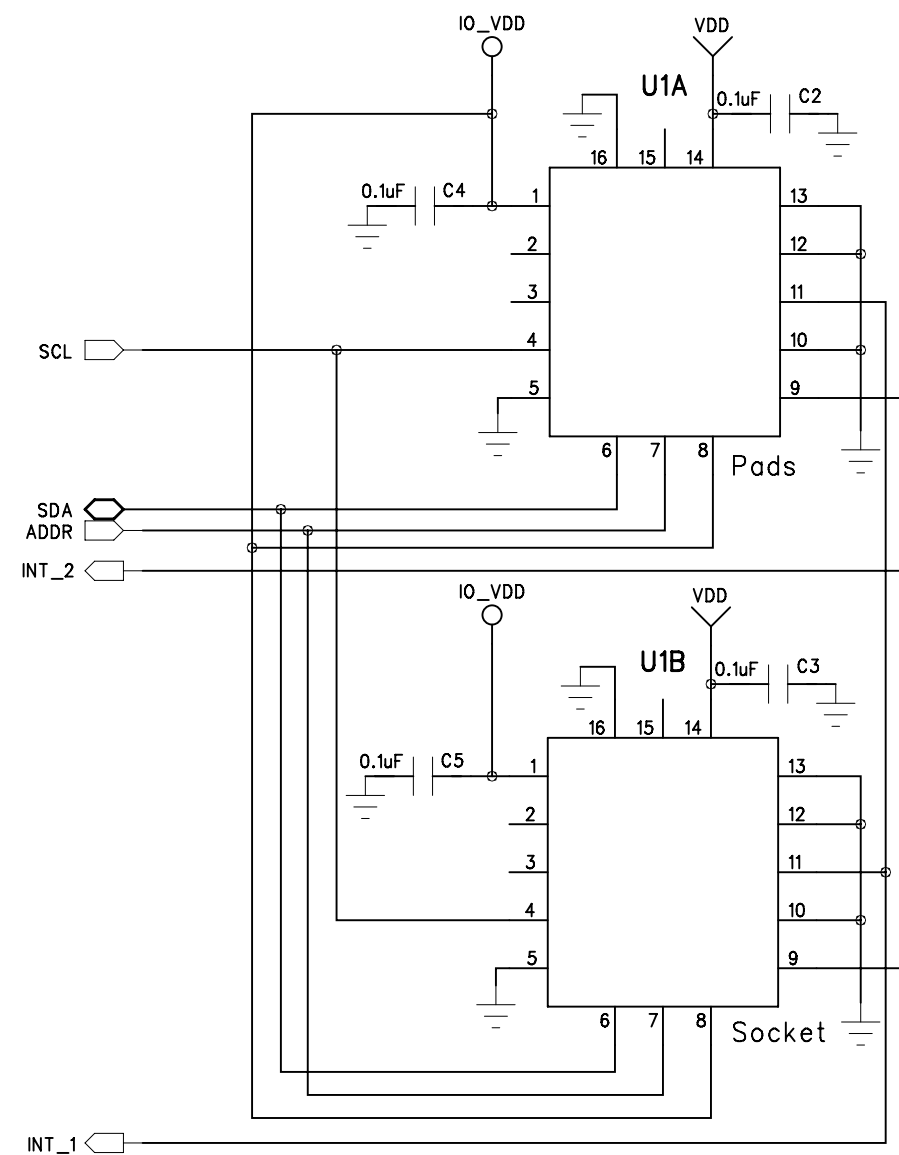
- 1) All resistors are 1%, 1/10W, 0603 unless otherwise specified.
- 2) All capacitors are 0.1uF, 10%, 16V, 0603 unless otherwise specified.
- 3) U1 LGA: Populate C2 and C4.
U2 Socket: Populate C3 and C5; mounted on solder copper side.
- 4) U2 socket: Loranger, 03742 171 6218B.
- 5) Supported devices: KX_IK, KX_KK, KX_NL

D

C

B

A



COMPANY:					Kionix Inc.					
TITLE:					KX__K/KX_NL Evaluation Board					
DRAWN:		DATED:		CODE:		SIZE:		DRAWING NO:		REV:
Bob Ross		4/20/12		DWG794		B		KAMMDM001R55		0
CHECKED:		DATED:		QUALITY CONTROL:		RELEASED:		SCALE: NONE		SHEET: 1 OF 2

DRAWN:	DATED:
Bob Ross	4/20/12
CHECKED:	DATED:
QUALITY CONTROL:	DATED:
RELEASED:	DATED:

