

6

5

4

3

2

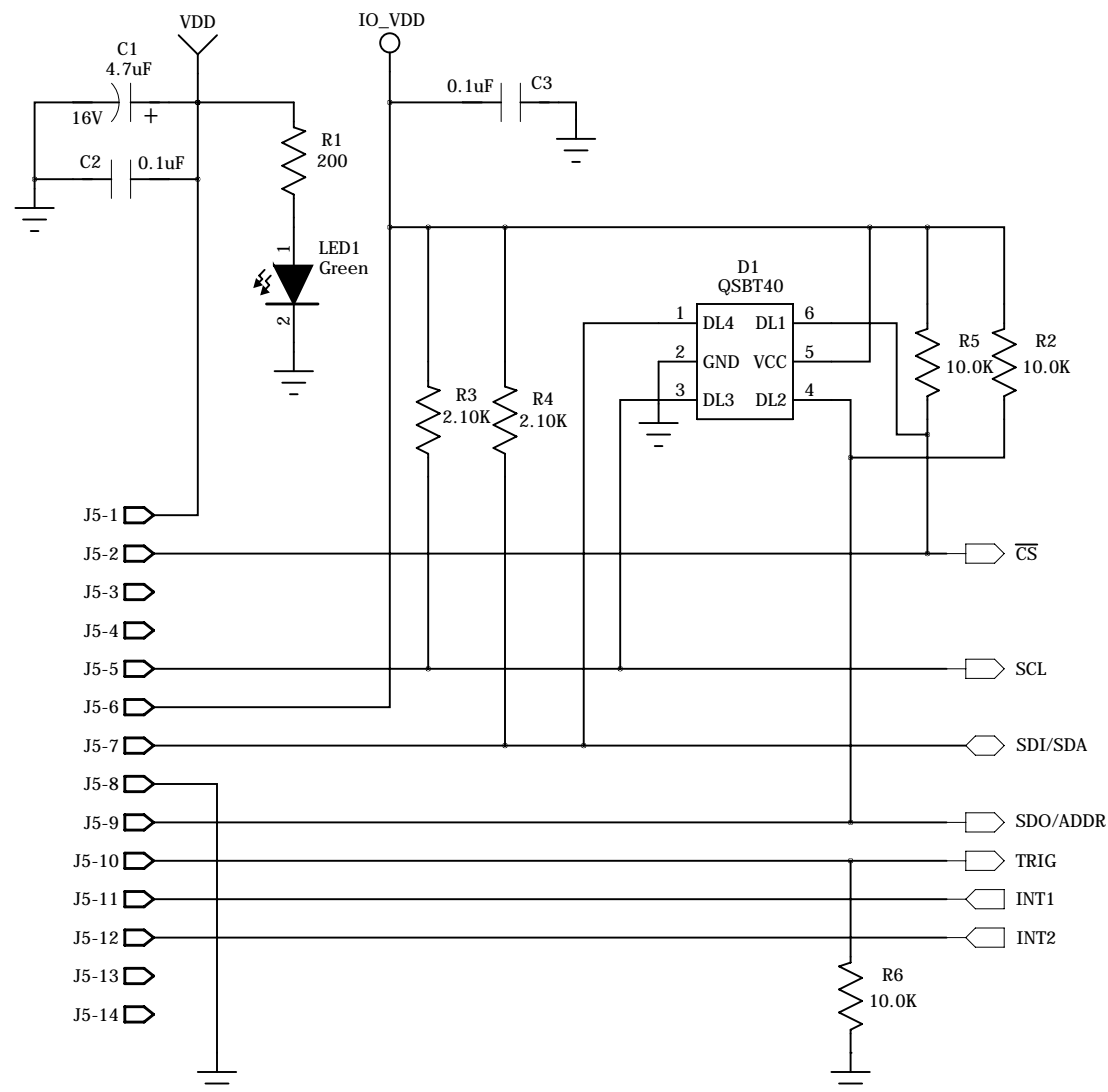
1

D

C

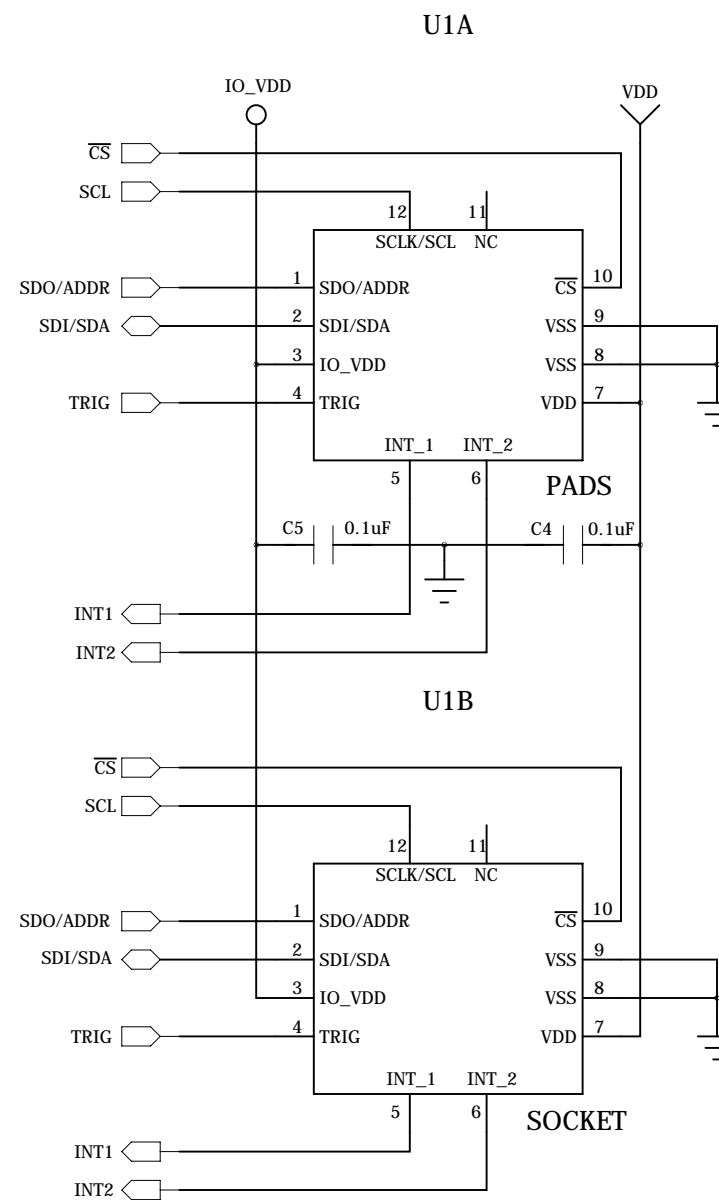
B

A



NOTES:

- 1) All resistors are 1%, 1/10W, 0603 unless otherwise specified.
- 2) All capacitors are 0.1uF, 10%, 50WVDC, 0603 unless otherwise specified.
- 3) U1B Socket: Loranger, 020SQ 012J6618A
- 4) Supported device and 7-bit I2C address:
  - a) KX022: 1Eh, 1Fh.
  - b) KX112: 1Eh, 1Fh.
  - c) KX122: 1Eh, 1Fh.
  - d) KX021: 1Eh, 1Fh.
  - e) KX222: 1Eh, 1Fh.



| PIN | KX022    | KX112    | KX122    |
|-----|----------|----------|----------|
| 1   | SDO/ADDR | SDO/ADDR | SDO/ADDR |
| 2   | SDI/SDA  | SDI/SDA  | SDI/SDA  |
| 3   | IO_VDD   | IO_VDD   | IO_VDD   |
| 4   | TRIG     | TRIG     | TRIG     |
| 5   | INT1     | INT1     | INT1     |
| 6   | INT2     | INT2     | INT2     |
| 7   | VDD      | VDD      | VDD      |
| 8   | GND      | GND      | GND      |
| 9   | GND      | GND      | GND      |
| 10  | nCS      | nCS      | nCS      |
| 11  | NC       | NC       | NC       |
| 12  | SCLK/SCL | SCLK/SCL | SCLK/SCL |

| PIN | KX021    | KX222    |  |
|-----|----------|----------|--|
| 1   | SDO/ADDR | SDO/ADDR |  |
| 2   | SDI/SDA  | SDI/SDA  |  |
| 3   | IO_VDD   | IO_VDD   |  |
| 4   | TRIG     | TRIG     |  |
| 5   | INT1     | INT1     |  |
| 6   | INT2     | INT2     |  |
| 7   | VDD      | VDD      |  |
| 8   | GND      | GND      |  |
| 9   | GND      | GND      |  |
| 10  | nCS      | nCS      |  |
| 11  | NC       | NC       |  |
| 12  | SCLK/SCL | SCLK/SCL |  |

COMPANY:



TITLE:

KX022 Evaluation Board

|                     |                      |
|---------------------|----------------------|
| DRAWN:<br>J Zappala | DATED:<br>10/04/2015 |
| CHECKED:            | DATED:               |
| QUALITY CONTROL:    | DATED:               |
| RELEASED:           | DATED:               |

|                 |            |                             |           |
|-----------------|------------|-----------------------------|-----------|
| CODE:<br>DWG856 | SIZE:<br>B | DRAWING NO:<br>KAMMDM001R56 | REV:<br>2 |
| SCALE: NONE     |            | SHEET: 1 OF 2               |           |

D

C

B

A

6

5

4

3

2

1

REVISION RECORD

| DATE:      | DRAWN BY: | DESCRIPTION:   | CHECKED BY: | DATE: |
|------------|-----------|--|-------------|-------|
| 2/22/13    | Bob Ross  | Initial release.   |             |       |
| 07/27/2015 | J Zappala | 1) Add information for KX112 and KX122.<br>2) Change SDI net name to SDI/SDA.<br>3) Add I2C addresses. |             |       |
| 10/04/2016 | J Zappala | 1) Add KX021 and KX222 devices.  |             |       |
|            |           |  |             |       |
|            |           |  |             |       |
|            |           |  |             |       |
|            |           |  |             |       |
|            |           |  |             |       |
|            |           |  |             |       |
|            |           |  |             |       |
|            |           |  |             |       |
|            |           |  |             |       |
|            |           |  |             |       |
|            |           |  |             |       |
|            |           |  |             |       |
|            |           |  |             |       |
|            |           |  |             |       |
|            |           |  |             |       |
|            |           |  |             |       |
|            |           |  |             |       |
|            |           |  |             |       |
|            |           |  |             |       |
|            |           |  |             |       |
|            |           |  |             |       |
|            |           |  |             |       |
|            |           |  |             |       |
|            |           |  |             |       |
|            |           |  |             |       |

D

D


C

C

B

B

A

COMPANY:  **Kionix Inc.**

TITLE: **KX022 Evaluation Board**

|                            |                             |                        |                   |                                     |                   |
|----------------------------|-----------------------------|------------------------|-------------------|-------------------------------------|-------------------|
| DRAWN:<br><b>J Zappala</b> | DATED:<br><b>10/04/2015</b> | CODE:<br><b>DWG856</b> | SIZE:<br><b>B</b> | DRAWING NO.:<br><b>KAMMDM001R56</b> | REV.:<br><b>2</b> |
| CHECKED:                   | DATED:                      | SCALE: NONE            |                   | SHEET: 2 OF 2                       |                   |
| QUALITY CONTROL:           | DATED:                      |                        |                   |                                     |                   |
| RELEASED:                  | DATED:                      |                        |                   |                                     |                   |