

6

5

4

3

2

1

D

C

B

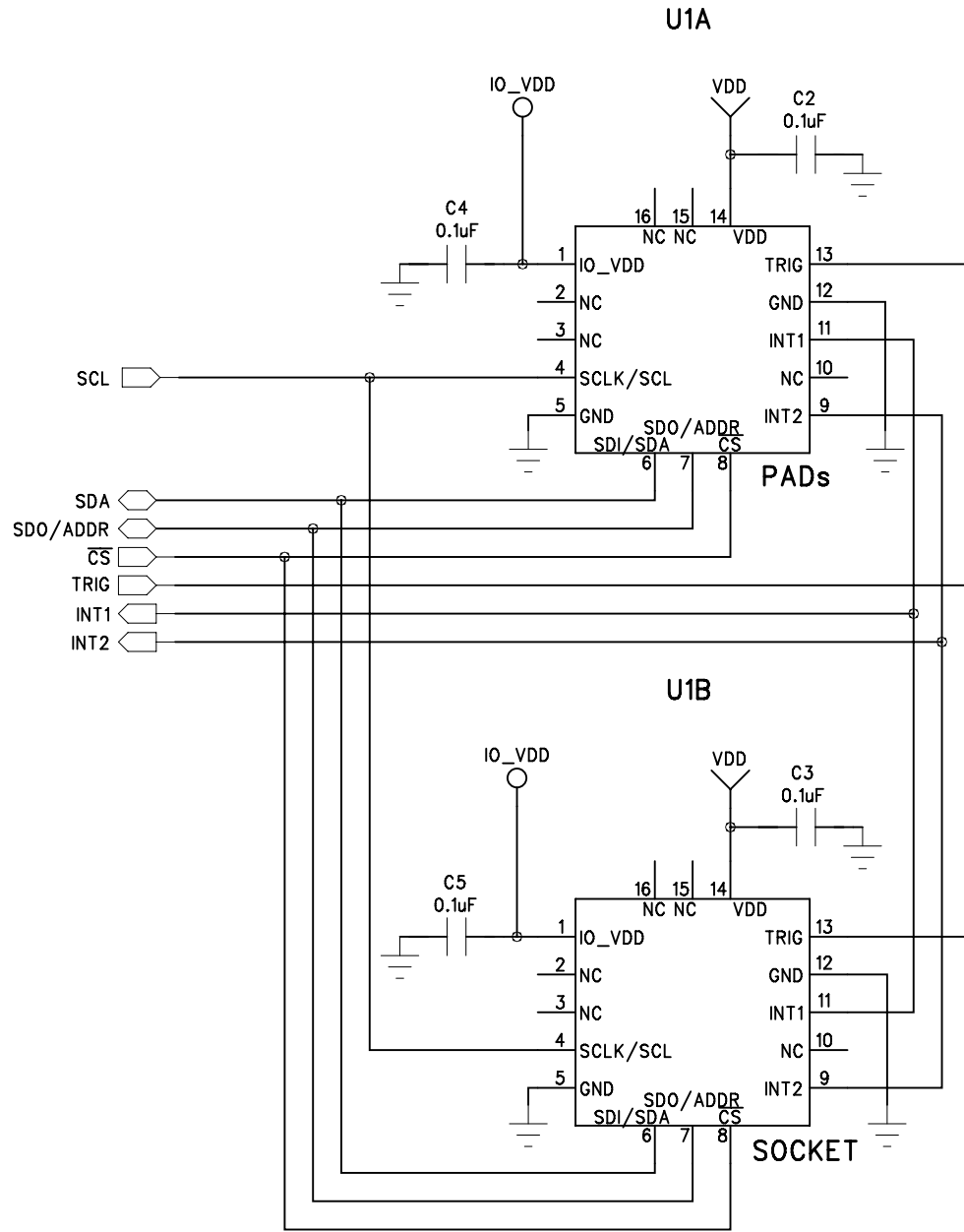
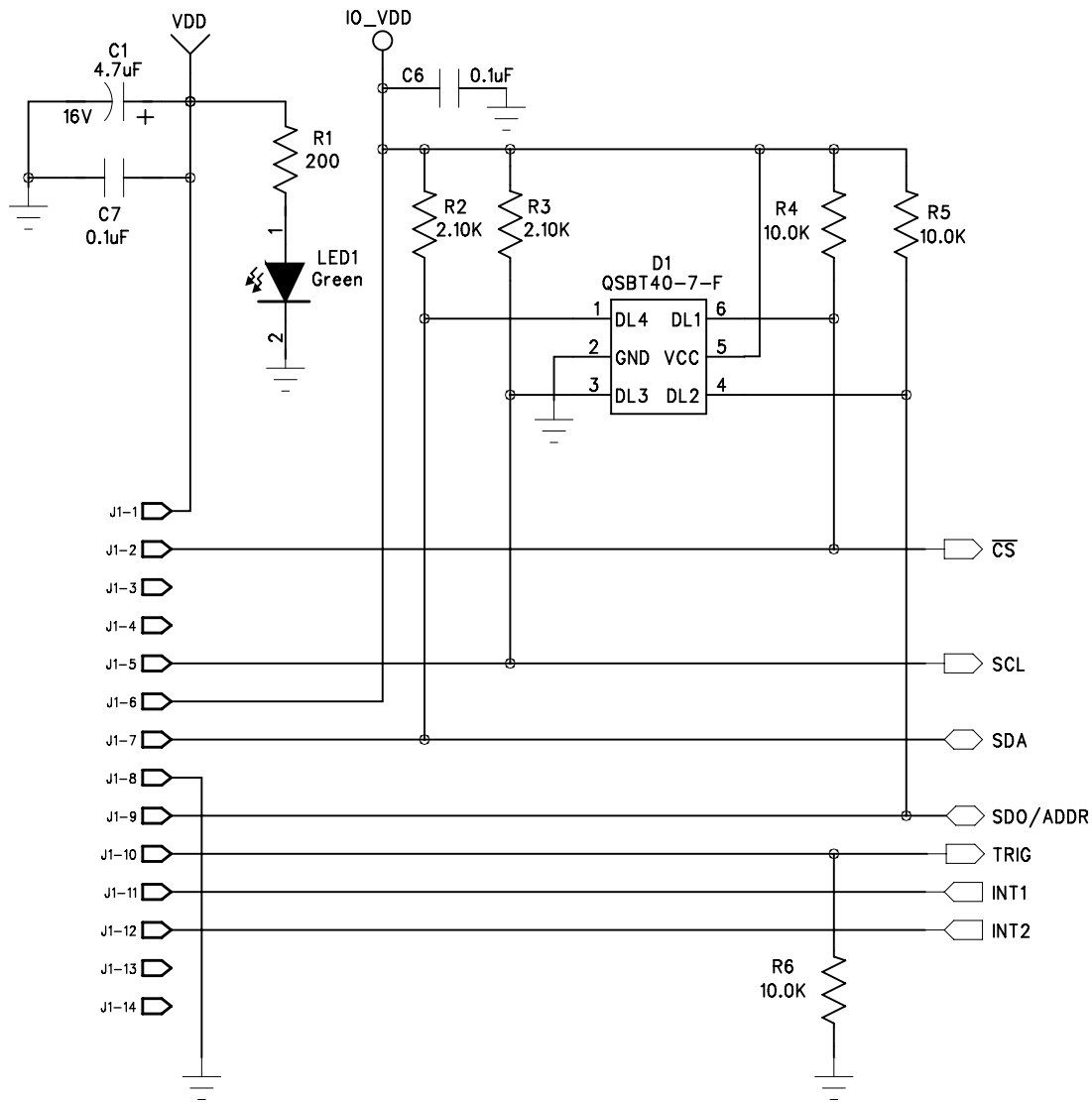
A

D

C

B

A



PIN	KX023	KX123	KX124
1	IO_VDD	IO_VDD	IO_VDD
2	NC	NC	NC
3	NC	NC	NC
4	SCLK/SCL	SCLK/SCL	SCLK/SCL
5	GND	GND	INT1
6	SDI/SDA	SDI/SDA	SDI/SDA
7	SDO/ADDR	SDO/ADDR	SDO/ADDR
8	nCS	nCS	nCS
9	INT2	INT2	INT2
10	NC	NC	NC
11	INT1	INT1	INT1
12	GND	GND	GND
13	TRIG	TRIG	TRIG
14	VDD	VDD	VDD
15	NC	NC	NC
16	NC	NC	NC

PIN	KX224		
1	IO_VDD		
2	NC		
3	NC		
4	SCLK/SCL		
5	GND		
6	SDI/SDA		
7	SDO/ADDR		
8	nCS		
9	INT2		
10	NC		
11	INT1		
12	GND		
13	TRIG		
14	VDD		
15	NC		
16	NC		

NOTES:

- 1) All resistors are 1%, 1/10W, 0603 unless otherwise specified.
- 2) All capacitors are 0.1uF, 10%, 50V, 0603 unless otherwise specified.
- 3) U1A LGA: Populate C2 and C4.
U1B Socket: Populate C3 and C5; mounted on solder copper side.
Loranger, 03742 171 6218B.
- 4) Supported device and 7-bit I2C address:
 - a) KX023: 1Eh, 1Fh.
 - b) KX123: 1Eh, 1Fh.
 - c) KX124: 1Eh, 1Fh.
 - c) KX224: 1Eh, 1Fh.

COMPANY:



TITLE:

KX023 Evaluation Board

DRAWN: J Zappala	DATED: 10/04/2016
CHECKED:	DATED:
QUALITY CONTROL:	DATED:
RELEASED:	DATED:

CODE: DWG861	SIZE: B	DRAWING NO: KAMMDM001R57	REV: 3
SCALE: NONE			SHEET: 1 OF 2

6

5

4

3

2

1

REVISION RECORD

DATE:	DRAWN BY:	DESCRIPTION:	CHECKED BY:	DATE:
3/14/13	Bob Ross	Initial release.		
07/28/2015	J Zappala	1) Add information for KX123. 2) Add I2C addresses.		
10/30/2015	J Zappala	1) Add information for KX124.		
10/04/2016	J Zappala	1) Add KX124 device.		

D

D

C

C

B

B

A

MTHOLE1 MTHOLE3
 MTHOLE150 MTHOLE150
 Kionix Inc. LOGO LOG01
 MTHOLE2 MTHOLE4
 MTHOLE150 MTHOLE150

COMPANY: **Kionix Inc.**

TITLE: **KX023 Evaluation Board**

DRAWN: J Zappala	DATED: 10/04/2016	CODE: DWG861	SIZE: B	DRAWING NO: KAMMDM001R57	REV: 3
CHECKED:	DATED:	SCALE: NONE		SHEET: 2 OF 2	
QUALITY CONTROL:	DATED:				
RELEASED:	DATED:				