

6

5

4

3

2

1

D

C

B

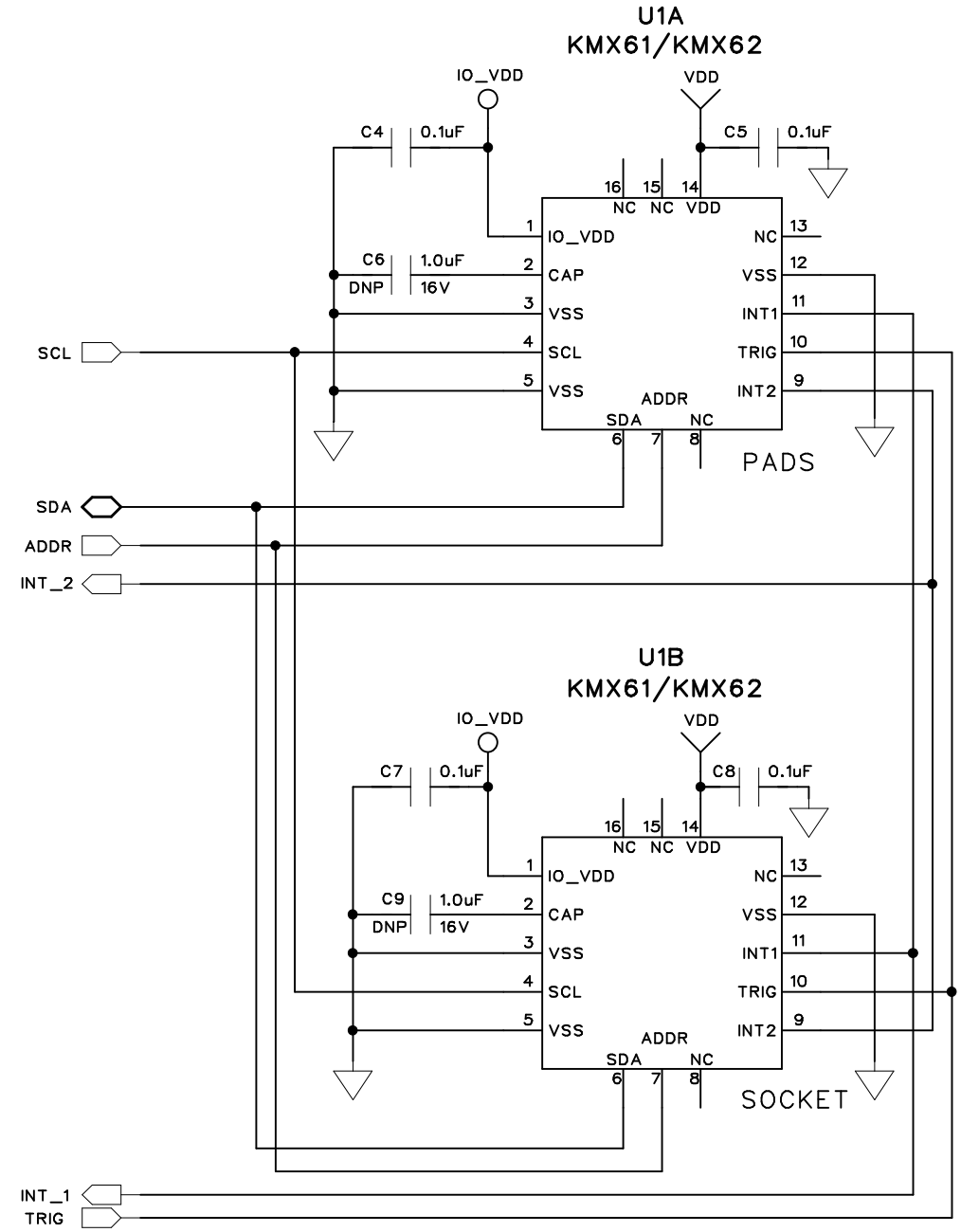
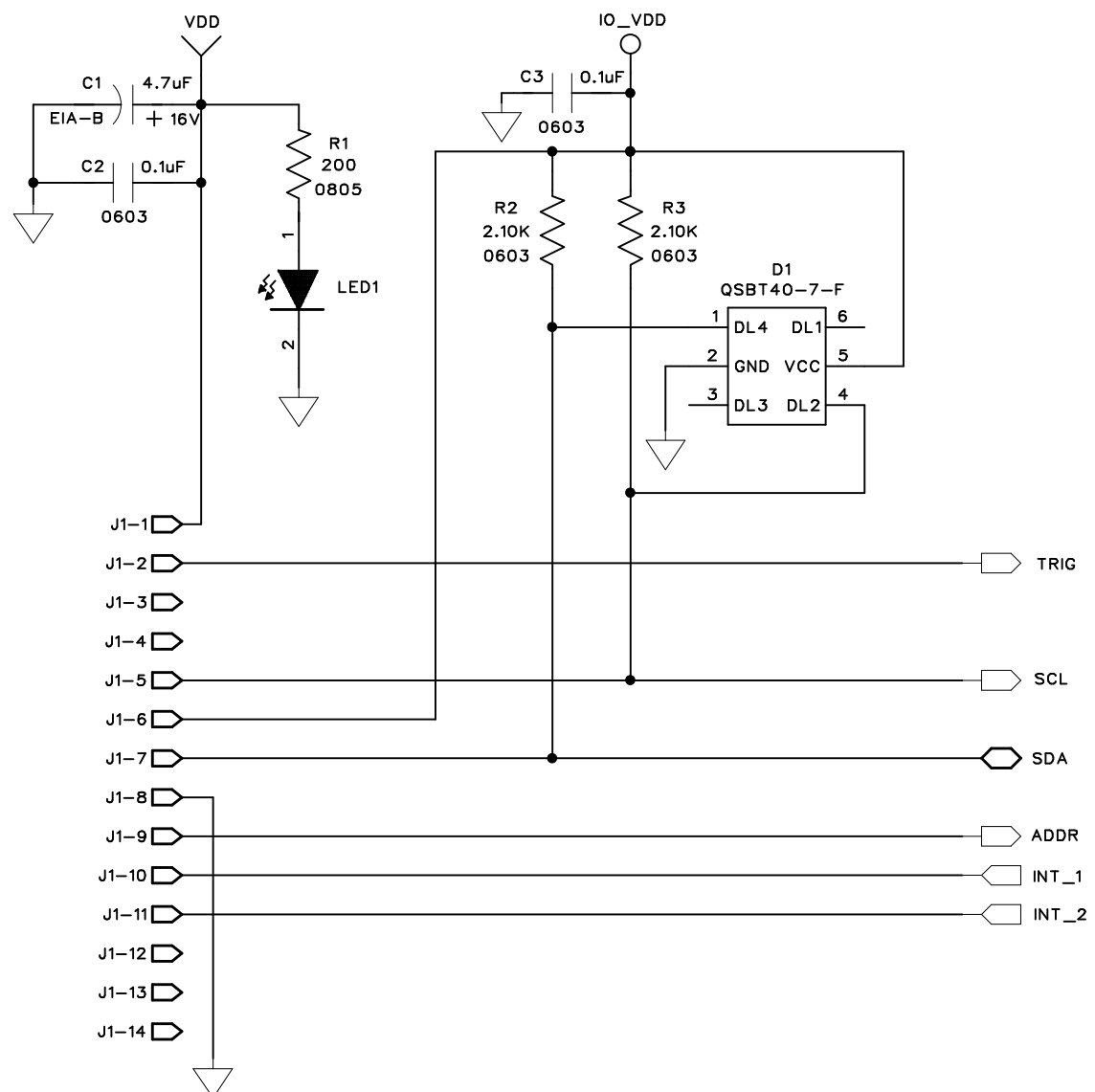
A

D

C

B

A



PIN	KMX61	KMX62
1	IO Vdd	IO Vdd
2	RES	CAP
3	GND	GND
4	SCL	SCL
5	GND	GND
6	SDA	SDA
7	ADDR	ADDR
8	NC	NC
9	INT2	GPIO2
10	TRIG	NC
11	INT1	GPIO1
12	GND	GND
13	NC	NC
14	Vdd	Vdd
15	NC	NC
16	NC	NC

NOTES:

- 1) All resistors are 1%, 1/10W, 0402 unless otherwise specified.
- 2) All capacitors are 0402, 10%, 50V unless otherwise specified.
- 3) U1 LGA: Populate C4, and C5.
U2 Socket: Populate C7, and C8; mounted on solder copper side.
- 4) U2 socket: Loranger, 03742 171 6218B.
- 5) Supported devices: KMX61, KMX61G, KMX62, KMX62G.

COMPANY: **Kionix Inc.**

TITLE: **KMX61 Evaluation Board Rev 2**

CODE: DWG877	SIZE: B	DRAWING NO: KMMMDD001R02	REV: 1
---------------------	----------------	---------------------------------	---------------

SCALE: None

SHEET: 1 OF 2

DRAWN: J Zappala	DATED: 05/18/2015
CHECKED:	DATED:
QUALITY CONTROL:	DATED:
RELEASED:	DATED:

