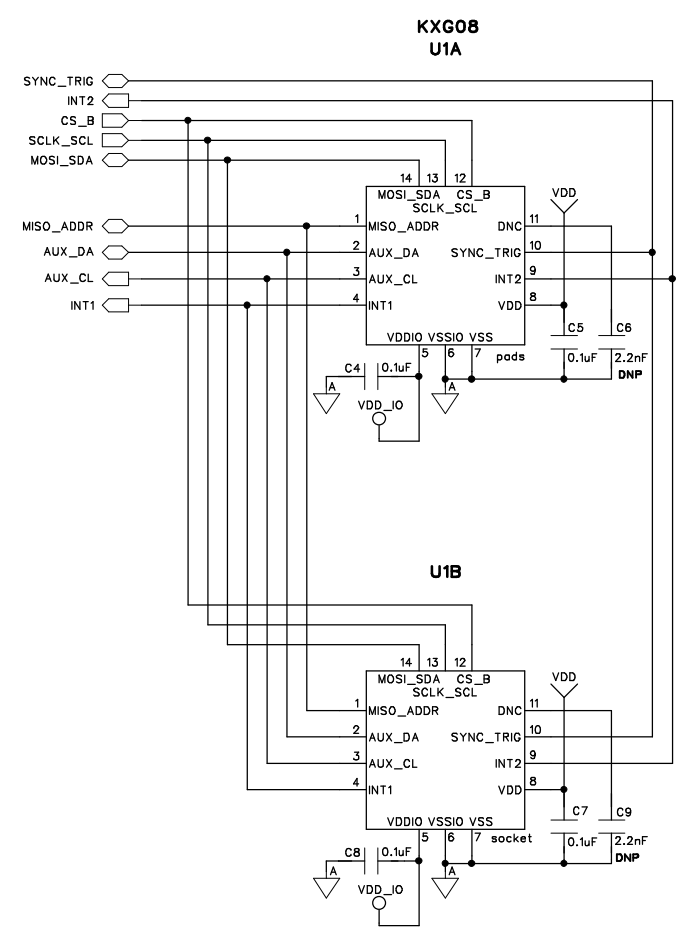
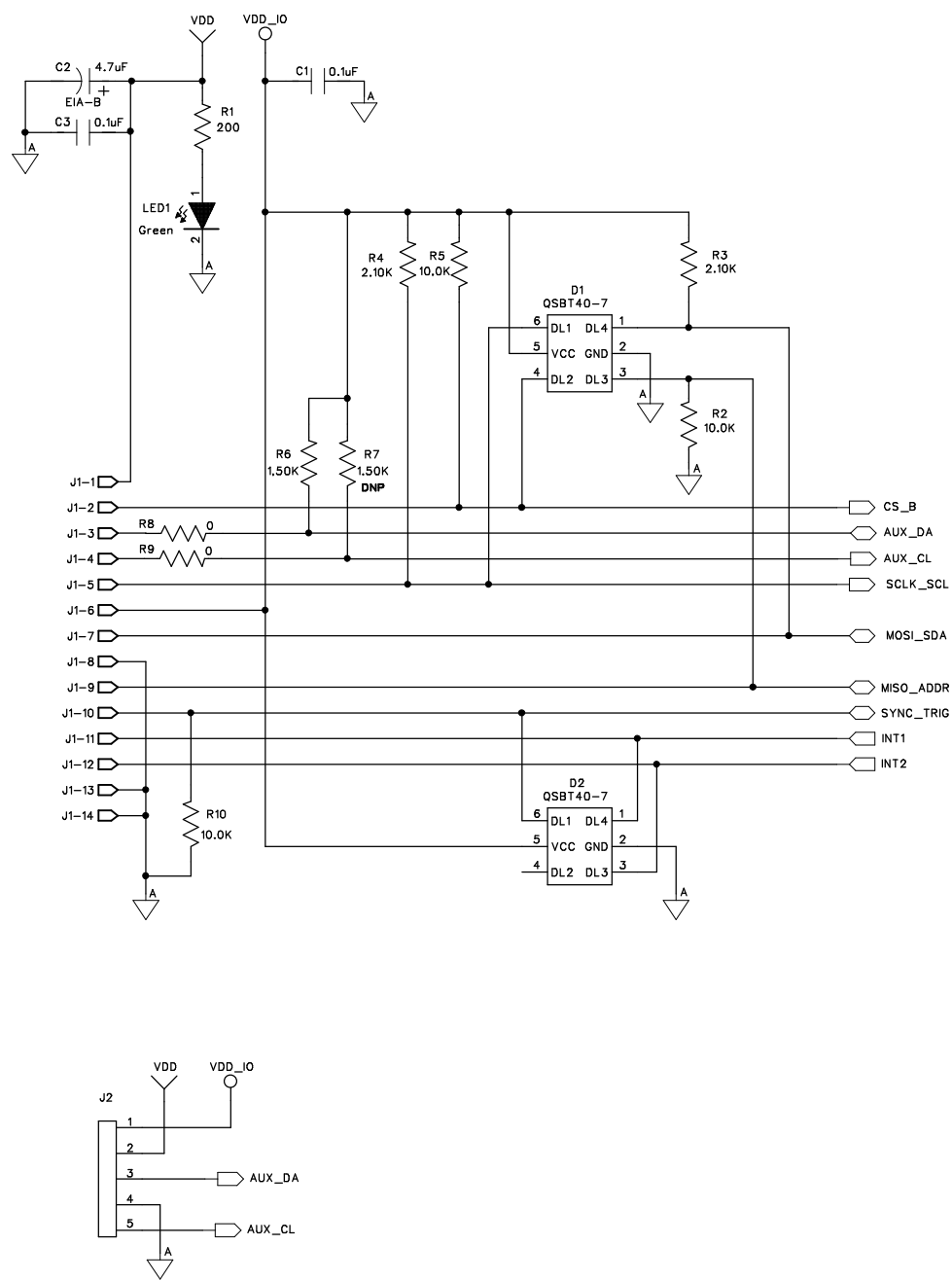


6 5 4 3 2 1

D
C
B
A

D
C
B
A



- NOTES:
- 1) All resistors are 1%, 1/10W, 0603 unless otherwise specified.
 - 2) All capacitors are 10%, 50V, 0603, X7R unless otherwise specified.
 - 3) U1B socket: Loranger, 030025014J6617.
 - 4) Supported components: KXG08.
 - 5) Population:
 - a) For socketed board (U1B), C4, C5 = DNP.

COMPANY:				Kionix, Inc.			
TITLE:				KXG08 Evaluation Board			
DRAWN:	DATED:	CODE:	SIZE:	DRAWING NO:	REV:		
J Zappala	09/22/2015	DWG946	C	KMMMDP001R04	C		
CHECKED:	DATED:	SCALE:		SHEET: 1 OF 2			
QUALITY CONTROL:	DATED:						
RELEASED:	DATED:						

