

6

5

4

3

2

1

D

D

C

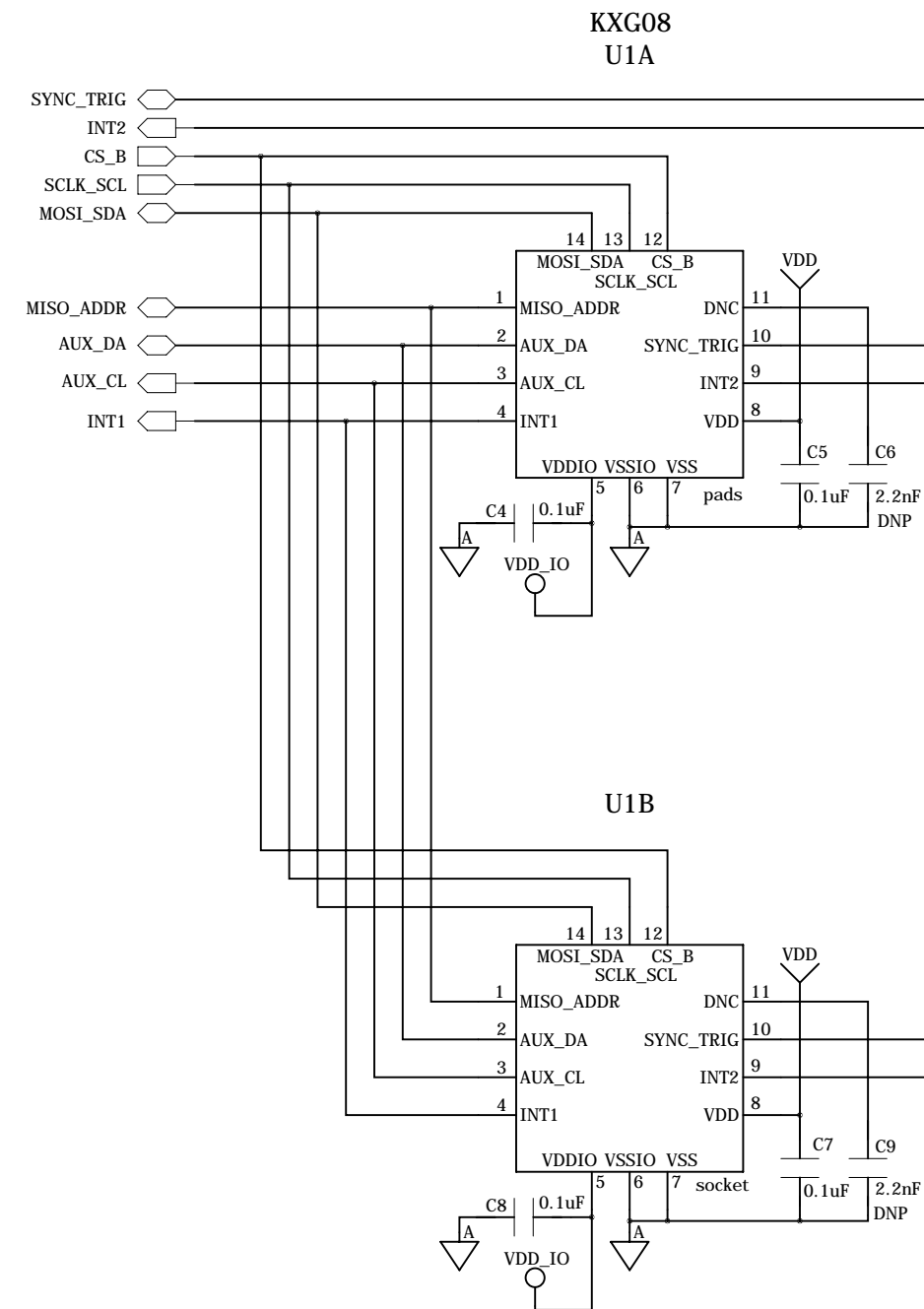
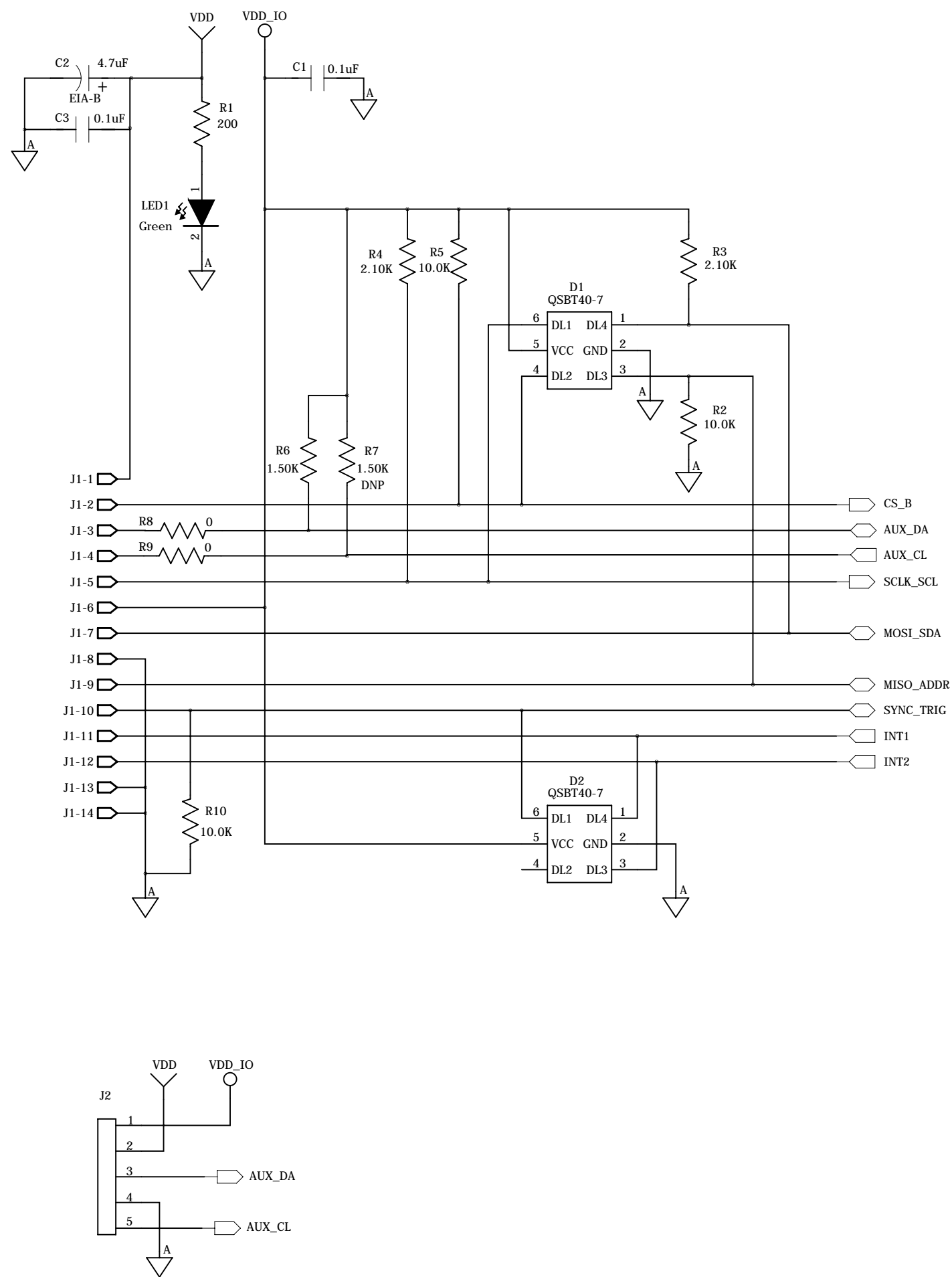
C

B

B

A

A



NOTES:

- 1) All resistors are 1%, 1/10W, 0603 unless otherwise specified.
- 2) All capacitors are 10%, 50V, 0603, X7R unless otherwise specified.
- 3) U1B socket: Loranger, 030025014J6617.
- 4) Supported components: KXG08.
- 5) Population:
  - a) For socketed board (U1B): C4, C5 = DNP.
  - b) For in-house testing: R6 = DNP.
  - c) The pin 1 indicator for U1B socket is rotated 90 degrees clockwise with respect to the PCB silkscreen.

COMPANY: <b>Kionix Inc.</b>			
TITLE: <b>KXG08 Evaluation Board</b>			
DRAWN: <b>J Zappala</b>	DATED: <b>11/16/2016</b>	CODE: <b>DWG946</b>	SIZE: <b>C</b>
CHECKED: <b>&lt;Checked By&gt;</b>	DATED: <b>&lt;Checked Date&gt;</b>	DRAWING NO: <b>KMMMDP001R04</b>	REV: <b>1</b>
QUALITY CONTROL: <b>&lt;QC By&gt;</b>	DATED: <b>&lt;QC Date&gt;</b>	SCALE: None	
RELEASED: <b>&lt;Released By&gt;</b>	DATED: <b>&lt;Release Date&gt;</b>	SHEET: 1 of 2	

