

6

5

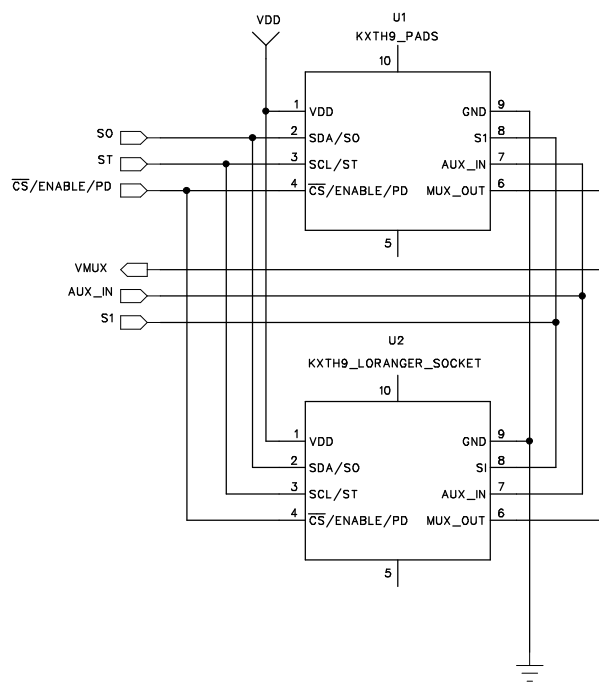
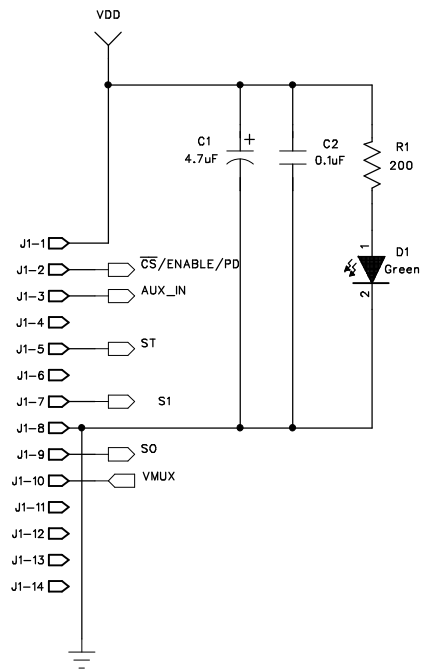
4

3

2

1

REVISION RECORD			
LTR	ECO NO:	APPROVED:	DATE:



COMPANY: Kionix, Inc.			
TITLE: KXTH9 Evaluation Board			
DRAWN: Bob Ross	DATED: 3/3/10	CODE:	SIZE: B
CHECKED:	DATED:	DRAWING NO: KAMMDM001R43	REV: 0
QUALITY CONTROL:	DATED:	SCALE:	
RELEASED:	DATED:	SHEET: 1 OF 1	

D

C

B

A

D

C

B

A