

6

5

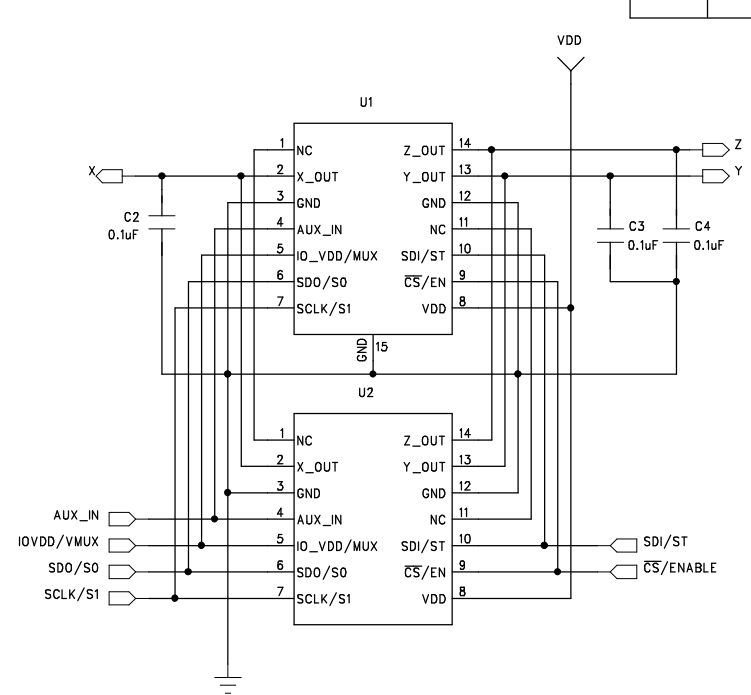
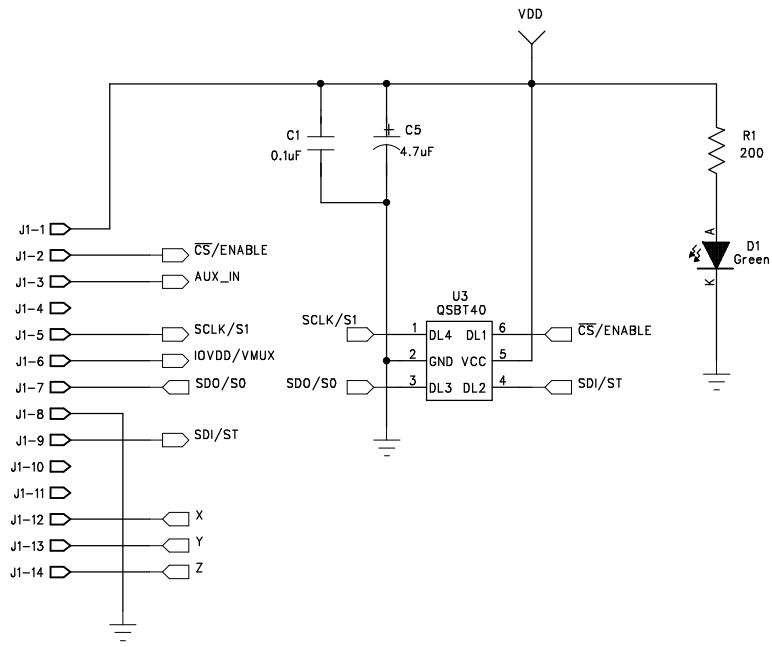
4

3

2

1

REVISION RECORD			
LTR	ECO NO:	APPROVED:	DATE:



COMPANY: Kionix, Inc.

TITLE: KX_94 Evaluation Board Rev 1

DRAWN: Bob Ross	DATED: 5/16/08
CHECKED:	DATED:
QUALITY CONTROL:	DATED:
RELEASED:	DATED:

CODE:	SIZE: B	DRAWING NO: KAMMDM001R32	REV: 0
SCALE:			SHEET: 1 OF 1

D

D

C

C

B

B

A

A